

# LINKEX™ LED ATEX EMERGENCY TEMPORARY LUMINAIRE



## PRODUCT INFORMATION

The LinkEx™ LED Temporary Emergency Luminaire has all the product features of the existing LX-400 range of LED temporary luminaires - including the unique SOVI™ (Safe Optimal Voltage Indicator) system - and in addition provides increased safety by automatically switching to the battery power source should there be any interruption to the normal power supply. It is also available as an Exit version.



LX-400E Emergency Luminaire



### FEATURES

- Emergency Function: if the power supply should fail, the light will switch automatically to battery power
- 3 hours battery duration (at reduced light output) to allow emergency evacuation
- ATEX and IECEx certified for use in Zones 1 and 2 explosive gas and dust atmospheres
- 3,000 lumens light output at source
- Features SOVI™ (Safe Optimal Voltage Indicator) - the unique safety technology which warns the user if the input voltage either exceeds the safe and certified range, or falls below the optimum voltage input range
- Available in HV (High Voltage) 90-264V AC and LV (Low Voltage) 18-55V AC/DC
- T4 temperature class; + 55°C ambient temperature
- Safe and certified down to 0 volts
- Unique Hazardous Area Certified anti-static protection films and protection covers available
- Available with ATEX certified plugs and sockets to link in series/chain (ATX, CEAG, Stahl, Marechal)
- High power, low maintenance LED light source 'Fitted for Life'
- Compact and robust design
- Low power consumption
- Wide range of fixing and mounting accessories available
- Exit version available



LX-400E Emergency Luminaire Exit Version



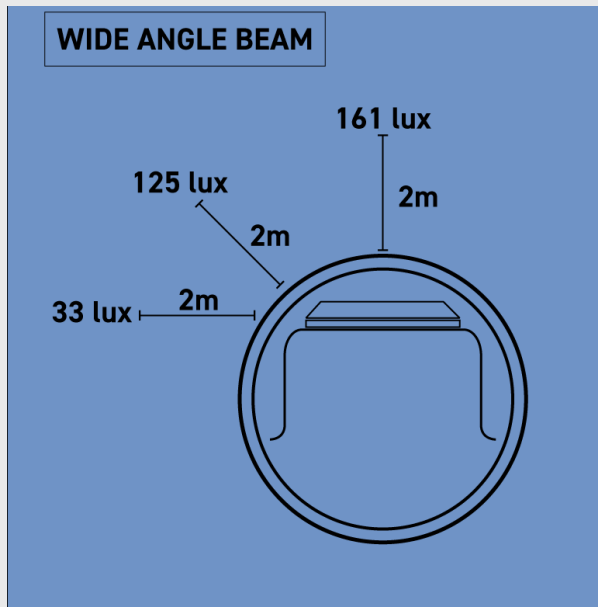
Wolf Safety Lamp Company  
Saxon Road Works, Sheffield S8 0YA, UK

T: +44 (0) 114 255 1051  
E: [info@wolfsafety.com](mailto:info@wolfsafety.com)



# TECHNICAL INFORMATION

## LIGHT OUTPUT DIAGRAM



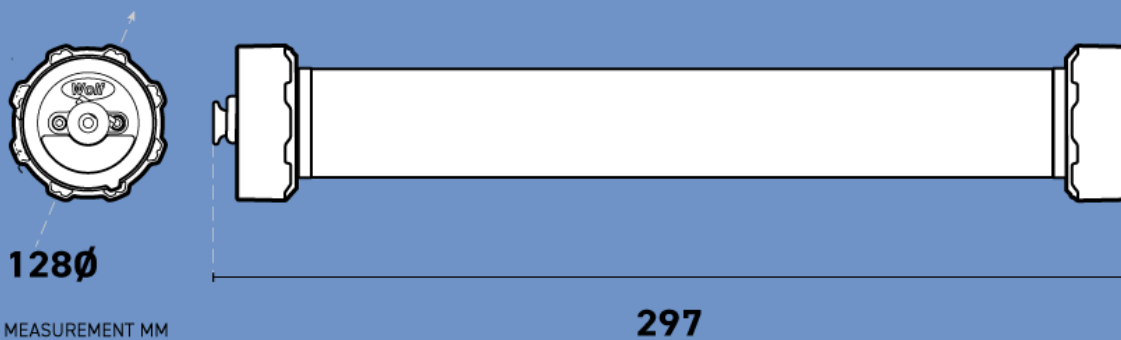
Wide angle beam, available as either 180° or 360° variants.  
180° lux data shown to the left.

**180°**  
Peak Luminous Intensity at 2m **161 lux**

## PRODUCT DIMENSIONS

### ATEX LINKEX™ LED ATEX EMERGENCY TEMPORARY LUMINAIRE

LX-400EH/T4/SY10/ATX110, LX-400EHA110/T4/SY5, LX-400EH/T4/SY10/ATX230, LX-400EHA230/T4/SY5,  
LX-400ELA24/T4/SY5, LX-400EL/T4/SY10/ATX24



# TECHNICAL INFORMATION

		<b>LX-400E EMERGENCY</b>	
<b>PRODUCT REFERENCE</b>		<b>LX-400E LV (EMERGENCY)</b>	<b>LX-400E HV (EMERGENCY)</b>
<b>PRODUCT DESCRIPTION</b>		LinkEx LED ATEX Emergency Temporary Luminaire	
<b>PRODUCT DESCRIPTION</b>		Emergency Low Voltage (LV) 18-55 V AC/DC	Emergency High Voltage (HV) 90-264V AC
<b>CODE</b>		Non-Linkable: II 2 GD Ex eb mb op is IIC T4 Gb (-20°C to +55°C) Ex tb op is IIIC T135°C Db IP67 Linkable: II 2 GD Ex eb mb op is IIC T4 Gb (-20°C to +55°C) Ex tb op is IIIC T135°C Db IP66	
<b>TYPE OF PROTECTION</b>		"eb" increased safety, "mb" encapsulation	
<b>AREA OF CLASSIFICATION</b>		Zones 1 and 2, Gas Groups IIA, IIB, IIC	
<b>TEMPERATURE CLASS</b>		T4	
<b>AREA OF CLASSIFICATION</b>		Zones 21 & 22	
<b>MAX SURFACE TEMP (DUST)</b>		135°C	
<b>AMBIENT TEMPERATRE</b>		-20°C to +55°C	
<b>CERTIFICATE</b>		CML 18ATEX3371X IECEx CML 18.0197X	
<b>ENCLOSURE AND LENS</b>		Polycarbonate with Anti-static Coating	
<b>BEAM TYPE</b>		Wide Angle, Diffused Area Light 180°	
<b>LIGHT SOURCE</b>	<b>TYPE</b>	LED	
	<b>LIFE</b>	Over 60,000 hrs	
	<b>POWER</b>	26VA ≈25W	≈26W
	<b>OUTPUT</b>	Up to 3,000 lumens, (output on emergency battery is 1,500 lumens)	
<b>INPUT VOLTAGE</b>		18-55V AC/DC	90-264V AC
<b>WEIGHT (NON-LINKABLE)</b>		3.2kg without cable	
<b>LENGTH (NON-LINKABLE)</b>		0.7m	
<b>INGRESS PROTECTION</b>		Non-Linkable (No Socket) IP67 / Linkable (Socket Fitted) IP66	
<b>INCLUDED</b>		Hanging Straps	

All information has been gathered under laboratory conditions, the user must regard the values given as approximate. Changes may be made to the above specification without notification, details are available on request.



Wolf Safety Lamp Company  
Saxon Road Works, Sheffield S8 0YA, UK

T: +44 (0) 114 255 1051  
E: [info@wolfsafety.com](mailto:info@wolfsafety.com)

