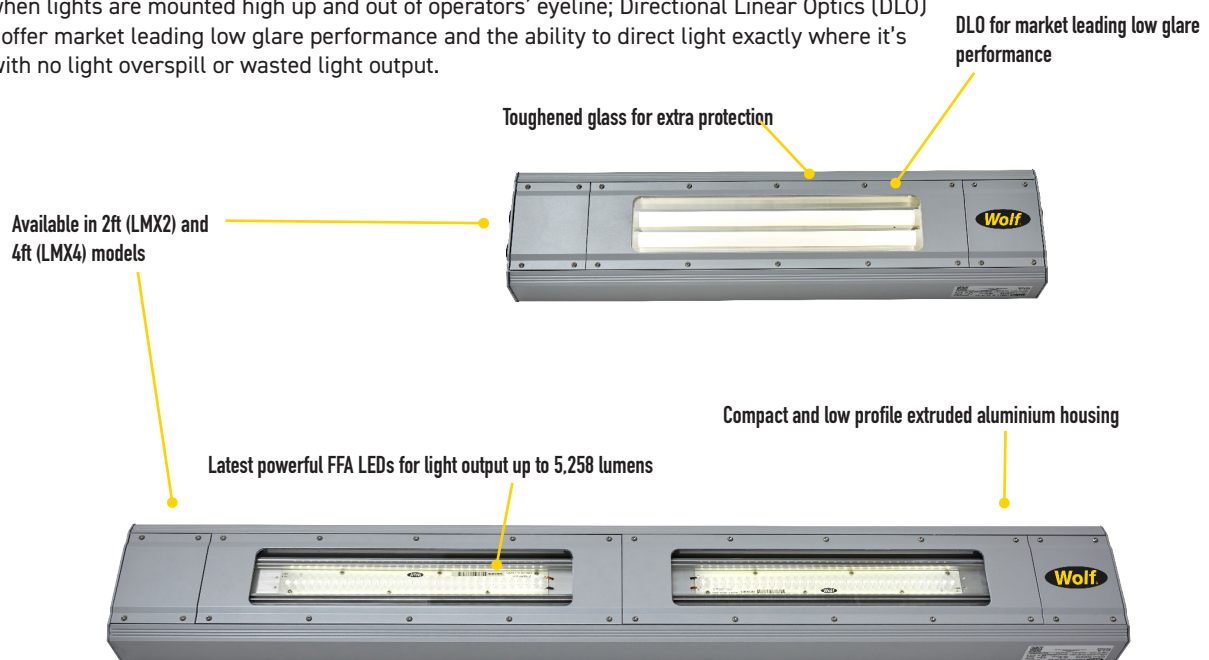


## PRODUCT INFORMATION

The LMX installed linear range is ATEX, IECEx and UKEX certified for safe use in Zones 1 and 21 potentially explosive atmospheres. Ideal for illuminating Hazardous Area walkways, corridors, and long and large open areas. All products are IP66/67 rated, tough, reliable and ideal for indoor or outdoor use in new installations and for replacing existing fluorescent, or LED installations for improved performance and lower energy consumption.

Available in 2 versions, Forward Facing Array (FFA) models are ideal for illuminating larger areas and for when lights are mounted high up and out of operators' eyeline; Directional Linear Optics (DLO) versions offer market leading low glare performance and the ability to direct light exactly where it's needed with no light overspill or wasted light output.



## FEATURES & BENEFITS

### LIGHT OUTPUT/POWER

#### Forward Facing Array (FFA) models:

- Up to 5,258 lumens (LMX4S-F)

#### Directional Linear Optics (DLO) models:

- Up to 3,976 lumens (LMX4S-L)
- Directional light - light directed exactly where needed with no overspill and no wasted lumens
- Low glare - for worker's comfort and wellbeing

### CERTIFICATION/SPECIFICATION

- ATEX, IECEx and UKEX certified for gas Zone 1 and dust zone 21 T4 temperature class
- An IP66/67 rating means the LMX Linear is suitable for both indoor and outdoor use
- With all models having a lower ambient limit of - 50°C and high temperature versions up to 65°C being available, the LMX range is ideal for even the most extreme environments

### FEATURES

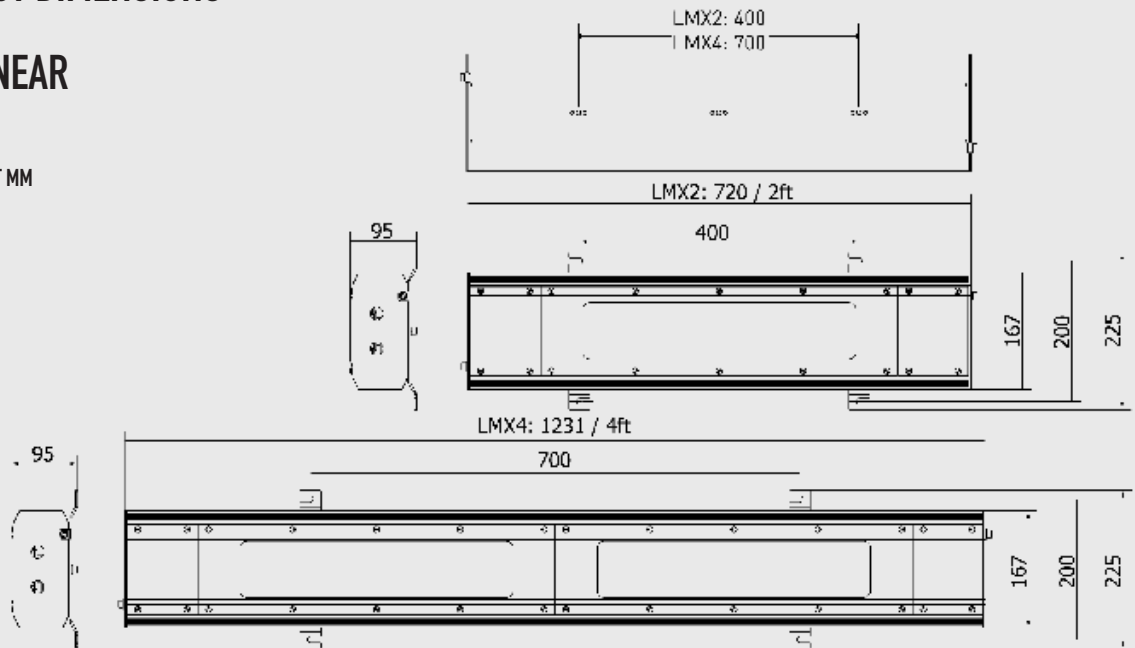
- Simple design ensures quick and easy installation
- Standard industry sizes allow easy retrofit of existing installations
- Four gland apertures (2x each end) to support through wiring arrangements
- Available as 110V and 230V versions
- The extruded aluminium body and strengthened glass ensure long life and resistance to damage
- Ultra long life LEDs - configured for 100,000+ hours life
- 5000k colour temperature
- The modular LED system allows easy, quick and efficient servicing, repair and replacement if necessary through easy access and rapid part replacement
- Advanced thermal management technology ensures a lifetime of 10 years+
- 5 year warranty
- IES files available upon request

# TECHNICAL INFORMATION

## PRODUCT DIMENSIONS

### LMX LINEAR

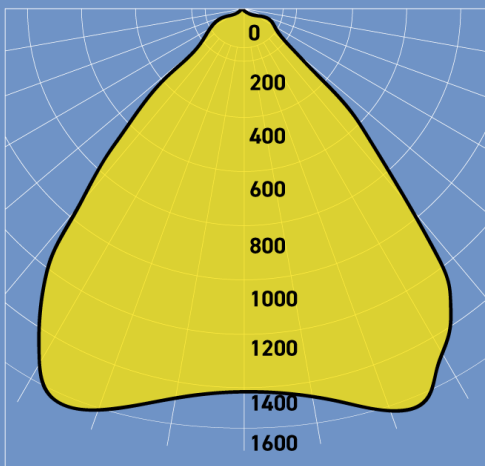
MEASUREMENT MM



## LIGHT OUTPUT DIAGRAM

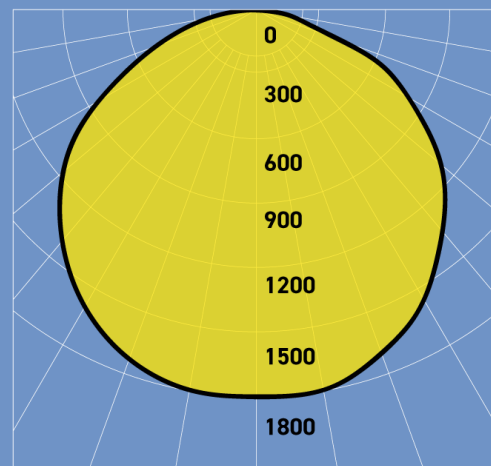
### LMX4 LINEAR

DIRECTIONAL LINEAR OPTICS (DLO)



### LMX4 LINEAR

FORWARD FACING ARRAY (FFA)



# LMX LINEAR TECHNICAL

LMX LINEAR								
PRODUCT REFERENCE	LMX2S-F-50	LMX2S-F-60	LMX2S-L-50	LMX2S-L-60	LMX4S-F-50	LMX4S-F-60	LMX4S-L-50	LMX4S-L-60
Code	II 2 G Ex eb mb IIC T4 Gb II 2 D Ex tb IIIC T80°C...T90°C Db (dependent on model type)							
Certificate	ExVeritas 19 ATEX 0433X / IECEx EXV 19.0001X / ExVeritas 21 UKEX 0946X							
Input Voltage Range	88 - 140V AC; 180 - 277 V AC							
Input Power (230V)	23		24		46		48	
Frequency	50 - 60 Hz							
Power Factor	>0.90							
Enclosure Size	2ft				4ft			
Lumen Output (Max)*	2,629	2,629	1,988	1,988	5,258	5,258	3,976	3,976
LED Module & Quantity	1 x FFA	1 x FFA	1x DLO	1x DLO	2x FFA	2x FFA	2x DLO	2x DLO
Beam Angles	115°		90° (110° upon request)		115°		90° (110° upon request)	
Ingress Protection	IP66/67 (depending on gland fitted)							
Gas Temp. Class	T4							
Weight	5kg				9kg			
Dust Surface Temp.	T80 °C	T90 °C	T80 °C	T90 °C	T80 °C	T90 °C	T80 °C	T90 °C
Lower Temp. Limit	-50 °C							
Upper Temp. Limit	50 °C	60 °C	50 °C	60 °C	50 °C	60 °C	50 °C	60 °C
Weight	5kg				9kg			
Colour Temperature	5000K							

\*Lumen output figures stated are for 230V AC

All information has been gathered under laboratory conditions, the user must regard the values given as approximate. Changes may be made to the above specification without notification, details are available on request. E&OE.



Wolf Safety Lamp Company  
Saxon Road Works, Sheffield S8 0YA, UK

T: +44 (0) 114 255 1051  
E: info@wolfsafety.com

WWW.WOLFSAFETY.COM

