

H-88P LED MODULE FOR H-251A & H-251ALED HANDLAMPS



WITHOUT COMPROMISE

PRODUCT INFORMATION

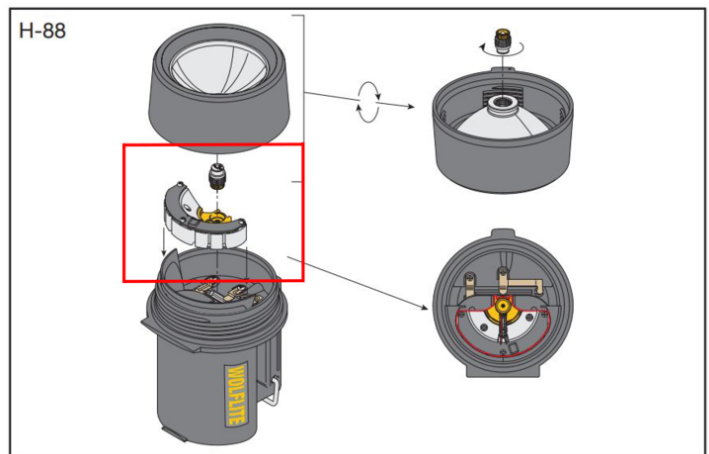
The H-88P LED module for the Wolfite H-251A and H-251ALED Rechargeable Handlamp is used to replace the halogen bulb on the H-251A and to upgrade older LED modules on the H-251ALED to achieve the same outstanding light output performance of up to 210 lumens (at source) as provided by the new (December 2021) upgraded H-251ALED handlamp.



Used to update the existing light source on the older model H-251A/H-251ALED handlamps to achieve post 2021 model performance

FEATURES

- Up to 210 lumens at source
- Quick and easy to replace the halogen bulb
- Typical life of over 25,000 hours
- Designed to last the lifetime of the the lamp



The H-88P LED Module; designed to upgrade existing H-251A and H-251ALED lamps to the latest outstanding LED performance supplied by the newly updated H-251ALED handlamp

TECHNICAL INFORMATION

HANDLAMP LED MODULE H-88P	
PRODUCT REFERENCE	H-88P
PRODUCT DESCRIPTION	Handlamp LED Module for H-251A and H-251ALED

All information has been gathered under laboratory conditions, the user must regard the values given as approximate. Changes may be made to the above specification without notification, details are available on request.



Wolf Safety Lamp Company
Saxon Road Works, Sheffield S8 0YA, UK

T: +44 (0) 114 255 1051
E: info@wolfsafety.com

