



**Wolf XT Handlamp Charger Bank Instructions**  
**MODELS: XT-613, XT-614, XT-615 (100-254Vac)**  
**XT-633, XT-634, XT-635 (12-24Vdc)**

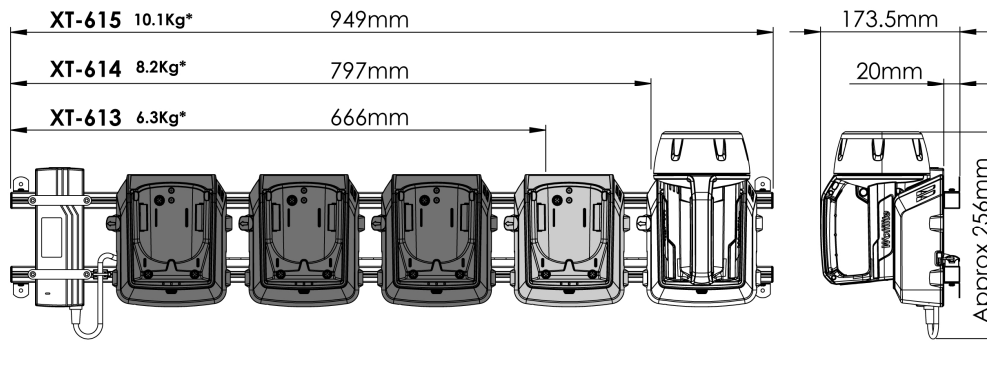
**Mounting the Charger Bank**

1. Ensure the mounting surface to accept the Charger Bank is flat, suitable for mounting the specified weight, and has the relevant power connection source nearby. User access to the Charger Bank should not be restricted by other objects.
2. Offer the charger bank to the surface and mark 4 centres for required bracket positions.
3. Ensure there are no obstructions behind the marked points, drill bracket positions.
4. Use your selected fixing method to mount the Charger Bank in position (Screws, nuts/bolts).
5. Connect to power source – Mains powered Charger Bank models to 100 – 254Vac outlet. Low voltage Charger Bank models to 12 – 24Vdc vehicle supply. If vehicle supplied, consider use of “Station Connected” circuit to allow charging whilst vehicle is not running.

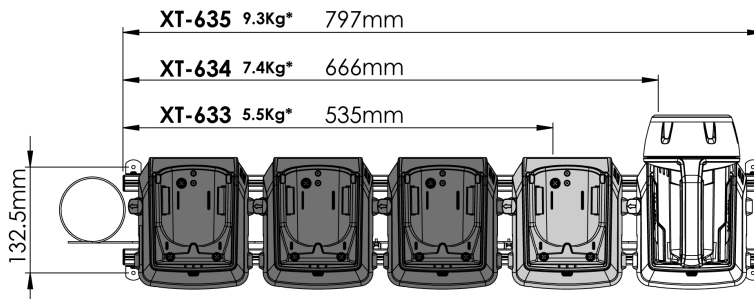
The wires in the low voltage supply cable are colour coded as follows:-

- Red - +ve / Positive / Live
- Red/Black Tracer - -ve / Negative / Neutral

**100-254VAC:**



**12-24VDC:**



\* Weights are of racks fully populated with XT-70 handlamps