

Fig. 1



EN IEC 60079:-

IECEX Scheme Certification

Ex ia IIC T4 Ga IP66

XT-75 Zone 0 Handlamp
(Spot & Flood)

Ex ib IIC T4 Gb IP66

XT-50 Zone 1 Handlamp (Spot)
XT-70 Zone 1 Handlamp (Spot & Flood)

XT-90 Zone 1 Handlamp
(Spot, Flood & Signal)

Cert No. IECEx BAS 09.0153

IEC Standards Applied:

IEC60079-0:2004

IEC60079-11:2006

IEC60079-26:2006

Ingress Protection Level:

IP66 to IEC60529:2001

Fig. 2

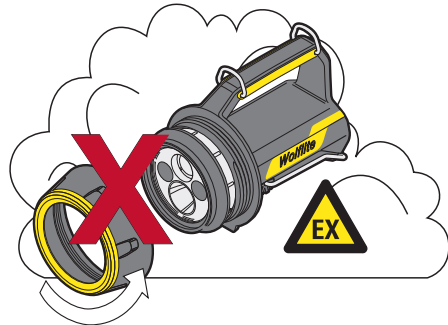


Fig. 3

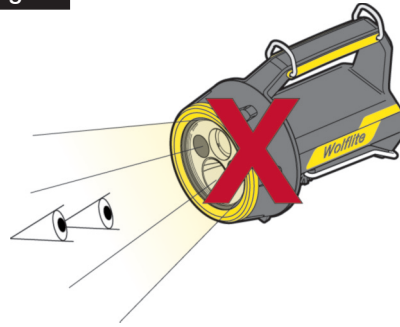
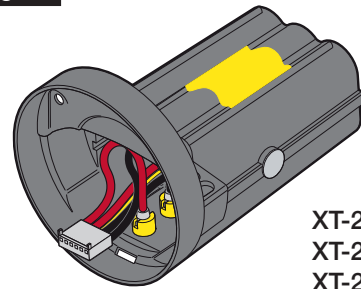


Fig. 4



XT-202
XT-204
XT-206



Li Ion



-Un Transportation
Regulations
-ADR
-US CFR 49

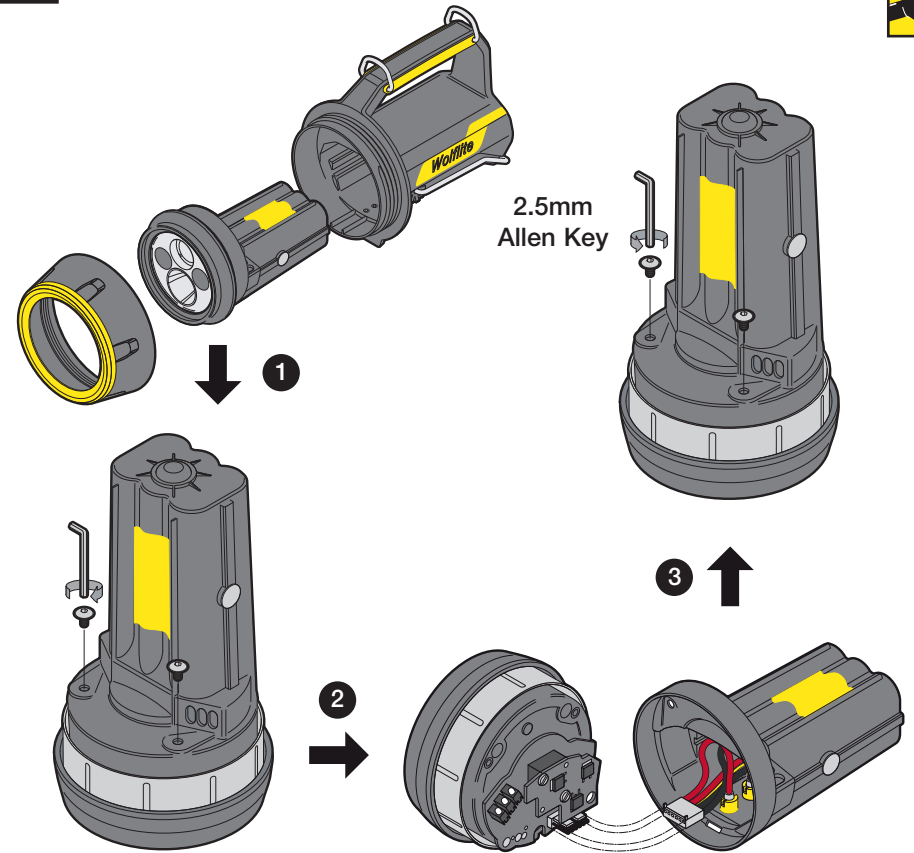


-IATA
-ICAO
-IMDG



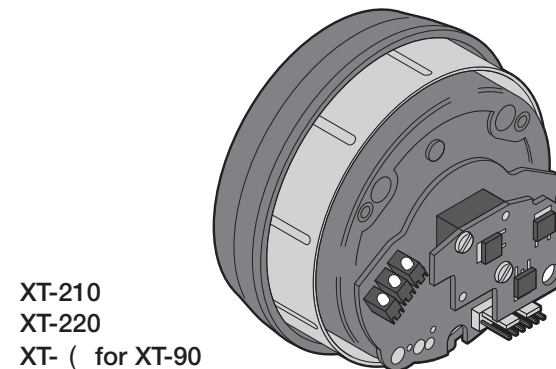
XT-204 Only

Fig. 5



2.5mm
Allen Key

Fig. 6



XT-210
XT-220
XT- (for XT-90



