

Fig. 1



EN IEC 60079:-

**IECEx Scheme Certification**

R-30 Zone 1 Halogen Bulb Model:  
**Ex e ib IIC T4 tD A21 IP67 T85C**  
Cert. No: **IECEx BAS 05.0070**

R-50 Zone 1 LED Model:  
**Ex ib IIC T4 tD A21 IP67 T85C**  
Cert. No: **IECEx BAS 06.0001**

R-55 Zone 0 LED Model:  
**Ex ia IIC T4 IP67**  
Cert. No: **IECEx BAS 06.0001**

IEC Standards Applied:  
IEC60079-0:2000, IEC60079-0:2004,  
IEC60079-11:1999, IEC60079-7:2001,  
IEC61241-0:2004, IEC61241-1:2004

Ingress Protection Level:  
IP67 to IEC60529:2001

Fig. 2



Fig. 3

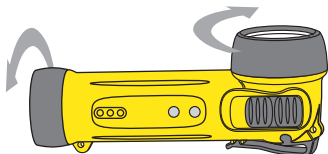


Fig. 4

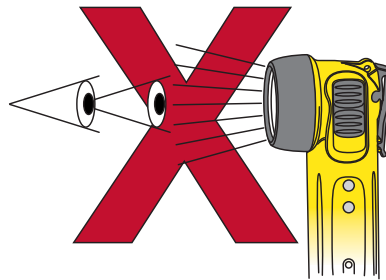
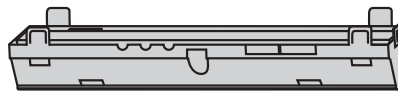


Fig. 5

R-271



Li Ion



-Un Transportation  
Reguations

-ADR  
-US CFR 49



-IATA  
-ICAO  
-IMDG



Fig. 6

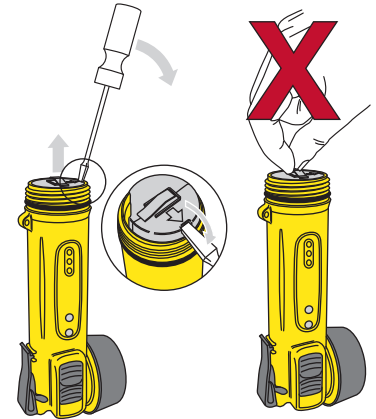
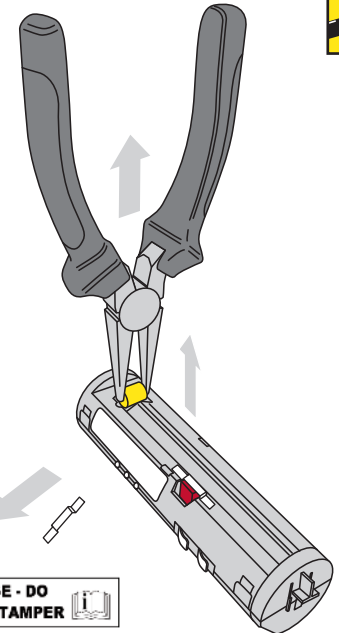


Fig. 7



**FUSE - DO NOT TAMPER**

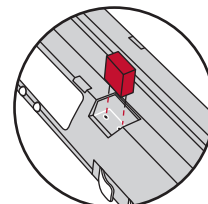
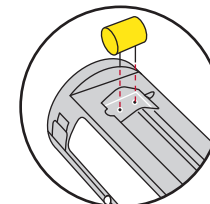


Fig. 8

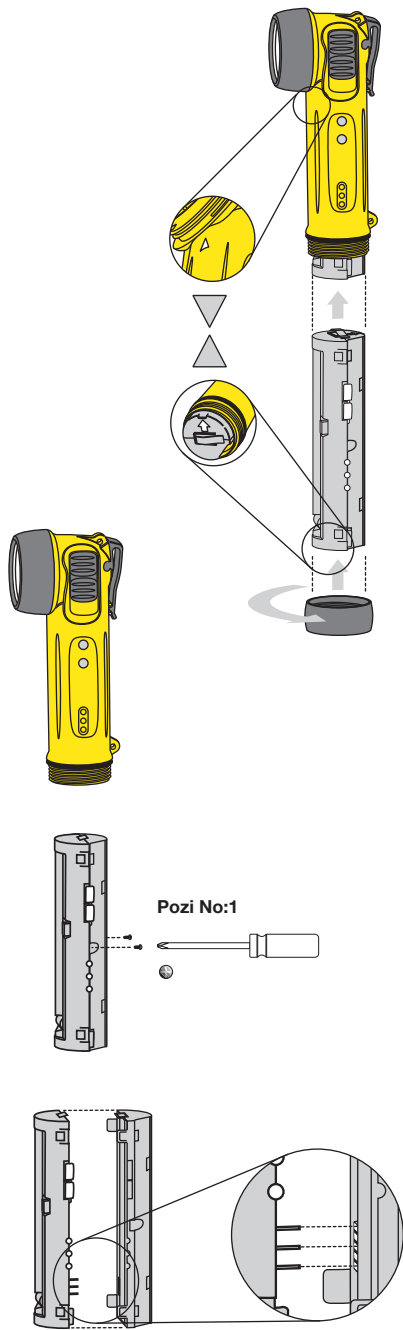


Fig. 9

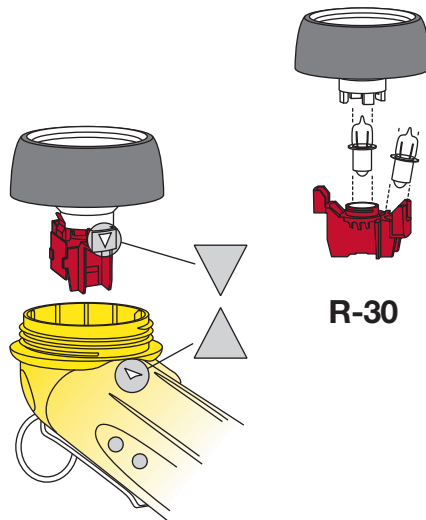


Fig. 10

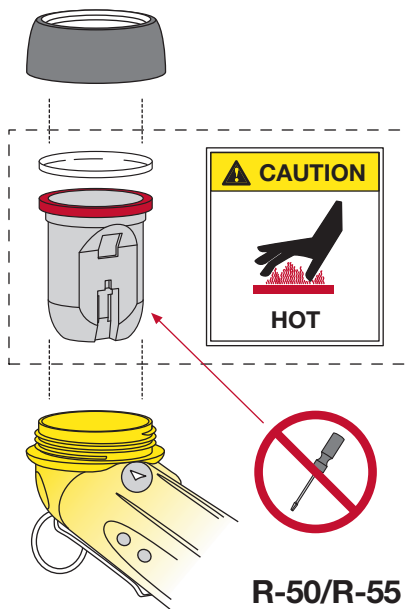


Fig. 11

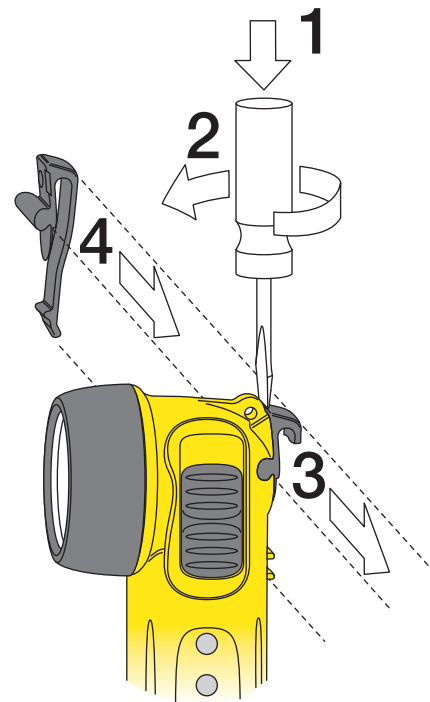


Fig. 12

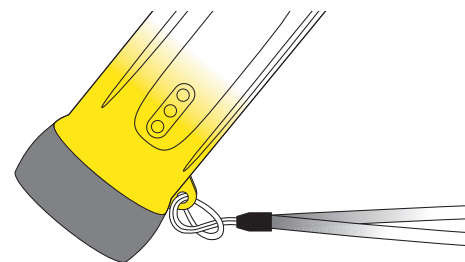


Fig. 13

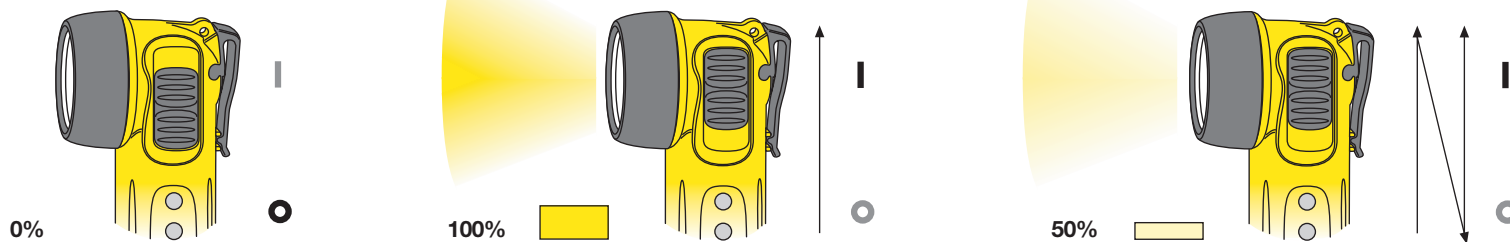


Fig. 14

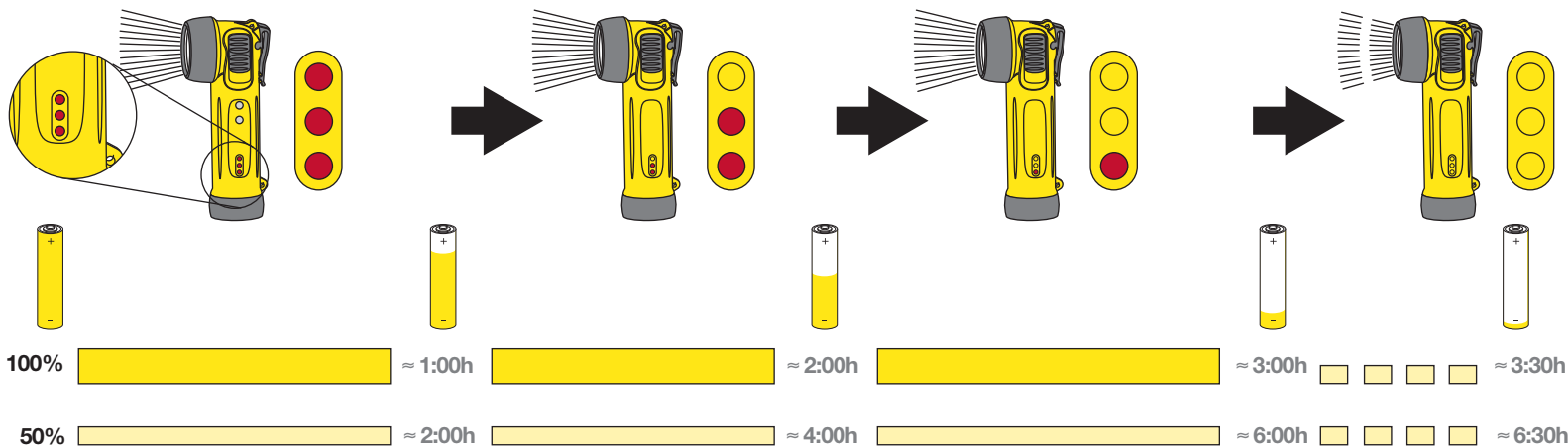


Fig. 15

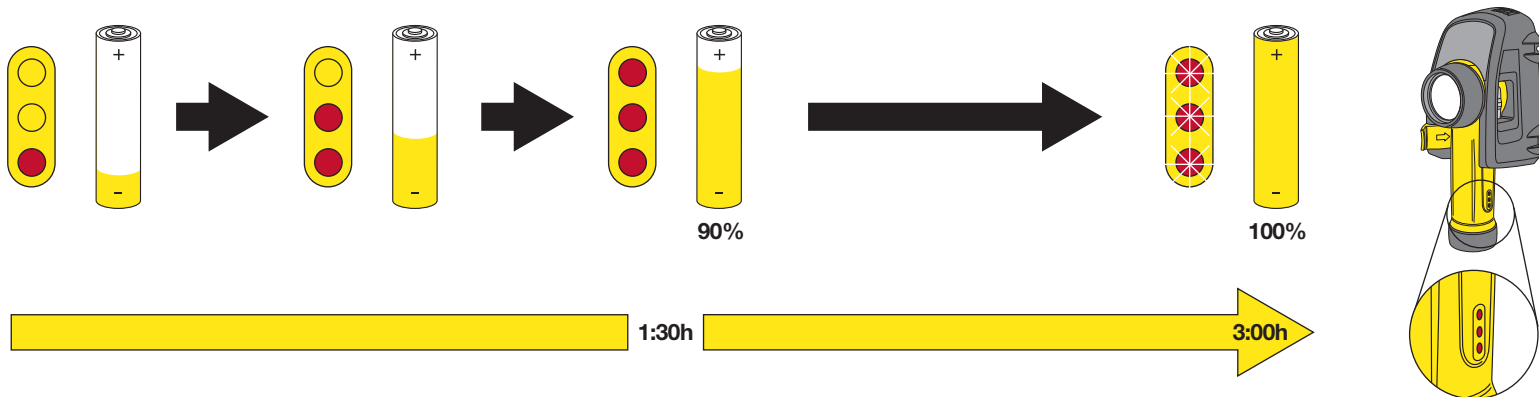




Fig. 16

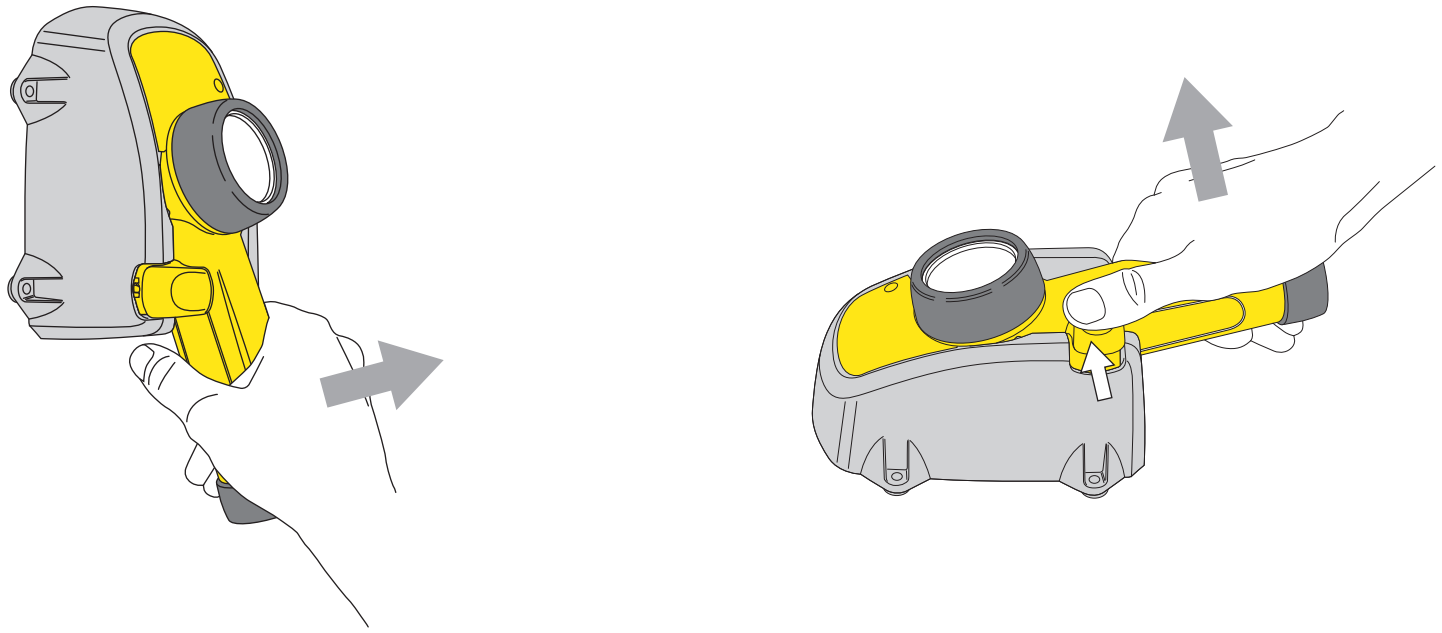
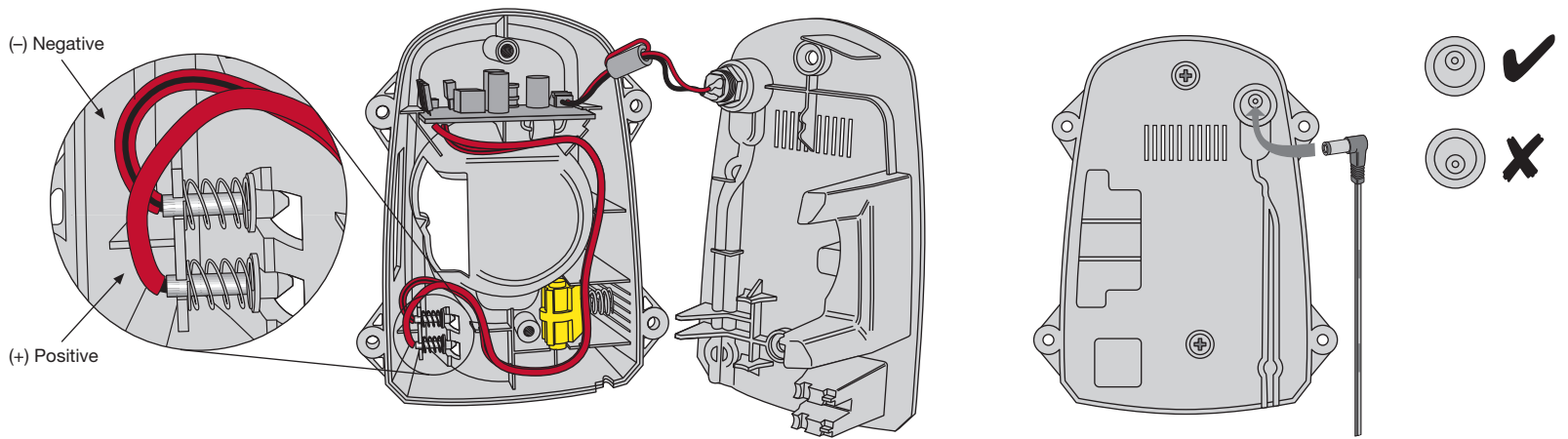
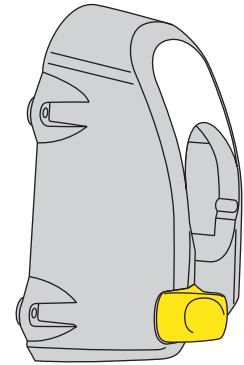
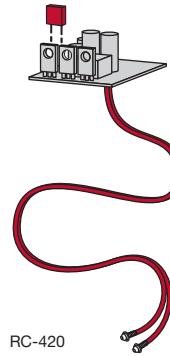
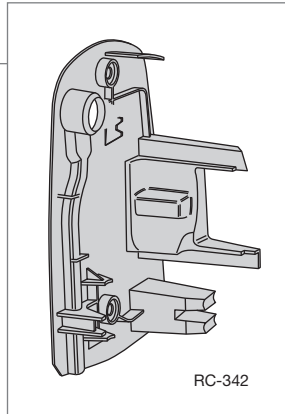


Fig. 17



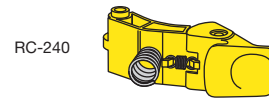
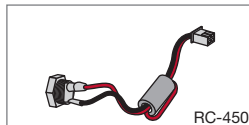
## RC-200



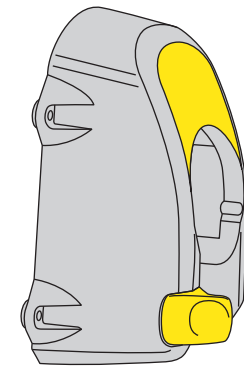
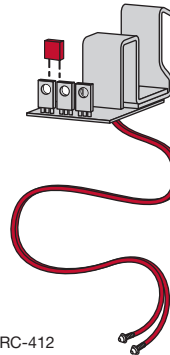
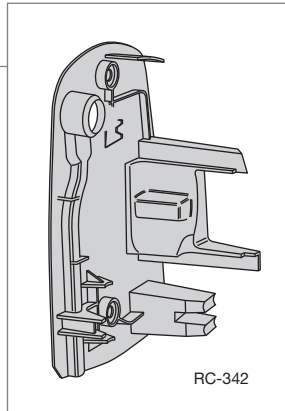
### Parts List

#### RC-200

- RC-438P Charger Screw
- RC-342 Charger Base Plate
- RC-450 Socket and Cable
- RC-240 Charger Arm Assembly
- R-640P Input Fuse (Pack of 2)
- RC-420 Circuit Board Assembly (RC-200)
- RC-250 Charger Body Assembly (RC-200)



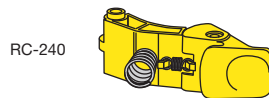
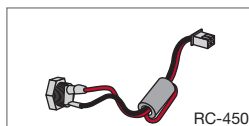
## RC-212

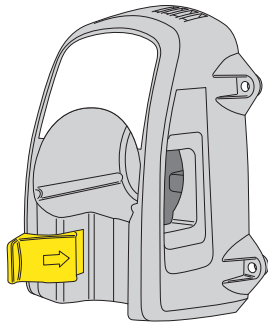


### Parts List

#### RC-212

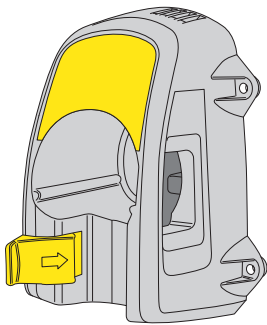
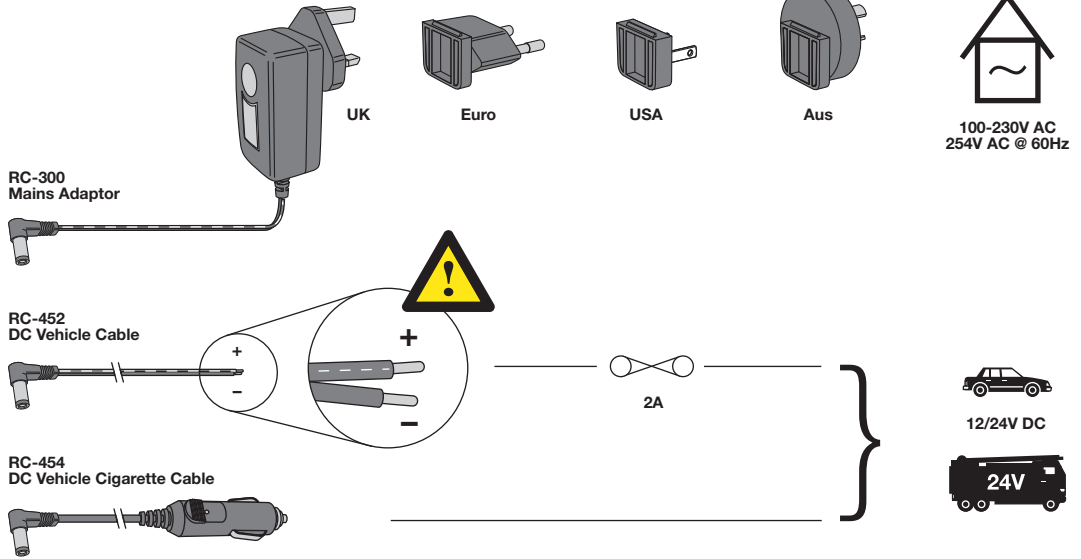
- RC-438P Charger Screw
- RC-342 Charger Base Plate
- RC-450 Socket and Cable
- RC-240 Charger Arm Assembly
- R-640P Input Fuse (Pack of 2)
- RC-412 Circuit Board Assembly (RC-212)
- RC-260 Charger Body Assembly (RC-212)





**RC-200**

12-24V DC



**RC-212**

12V DC ONLY

