

ATEX 250VA Transformer High Temp

Zones: 1, 2, 21 and 22



Product Overview

The Wolf ATEX 250VA Transformer is CE marked to the ATEX Directive and IECEx certified with a maximum output of 250VA in an ambient temperature of up to +55°C and is Group II, Category 2 equipment for use in Zones 1 & 2 potentially explosive gases, vapours and mists, where temperature class T4 is permitted, and Zones 21 & 22 potentially explosive dusts where a maximum surface temperature of 130°C is permitted.

Operating from 230V or 110V to 24V and 230V to 110V, the transformers are intended for use with the Wolf range of temporary ambient and task lights and with ancillary equipment for maintenance tasks.

As standard, Transformers are supplied with a 15 metre input cable fitted with an ATX plug and with four ATX output sockets fitted to the enclosure. The Transformers are available in either a GRP or Stainless Steel enclosure, sealed to IP66, enabling use in wet and dusty conditions. In addition, a stainless steel outer protective skid makes the unit stronger and easier to handle for temporary installations ensuring that it can withstand the harshest of environments.

All Wolf's ATEX power distribution systems are robust and durable in their construction, compact and portable for easy handling and fully flexible to enable different configurations to be built to your specific hazardous area requirement.

Features & Benefits

- ATEX and IECEx approved for use in Zones 1 explosive gas and 21 dust atmospheres
- T4 temperature class with upper ambient operating temperature of +55C
- Robust and durable construction
- Transportable and portable design
- Wide range of voltages available - 230V or 110V to 24V and 230V to 110V
- Fitted with 4 x ATX socket outlets
- Supplied with 15m SY cable and ATX plug
- CEAG, STAHL and Marechal plug options available
- Power temporary ambient and task lighting and ancillary maintenance equipment

Certifications



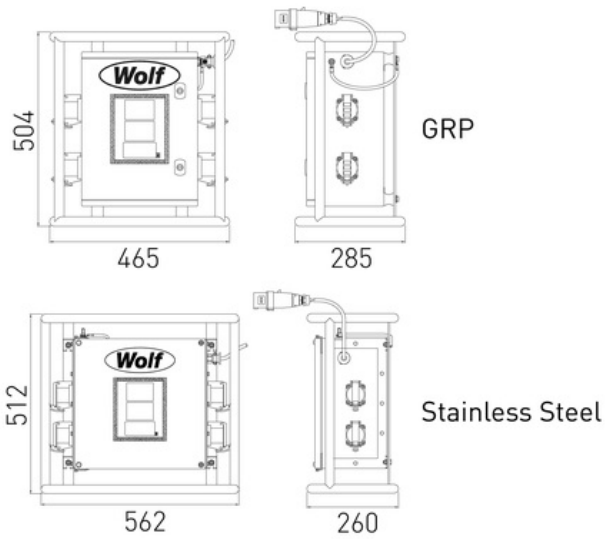
Technical Specification

Product Reference	LL-114/T4	LL-214/T4	LL-221/T4	LL-133/T4	LL-233/T4	LL-243/T4
Product Description	GRP			Stainless Steel		
	110V:24V	230V:24V	230V:110V	110V:24V	230V:24V	230V:110V
Code	For Output Power ≤ 250VA: Ex d e IIC T4 Gb - Ex t IIIC T130°C Db (-20°C ≤ Ta ≤ +55°C)					
Type of Protection	'e' increased safety, 'd' flameproof					
Area of Classification (Gas)	Zones 1 and 2 Gas Groups IIA, IIB and IIC					
Temperature Class (Gas)	T4					
Area of Classification (Dust)	Zones 21 and 22, Dust Groups IIIA, IIIB and IIIC					
Max. Surface Temperature (Dust)	T130°C					
Ambient Temperature	-20°C to +55°C					
Certificate	ATEX - LCIE02ATEX6248X IECEX - LCI 04.0016X			ATEX-LCIE02ATEX6118X IECEX - LCI 11.008X		
Enclosure	Glass reinforced polyester (GRP) enclosure, stainless steel skid			Marine grade (316L) stainless steel		
Power	250VA					
Volts In	110V ac +6% - 10%	230V ac +6% - 10%		110V ac +6% - 10%	230V ac +6% - 10%	
Input Cable	15m SY cable 2.5mm ² with ATX 110V / 230V 2P+E plug fitted as standard					
Volts Out	24V		110V	24V		110V
Socket Arrangement & Configuration	4 output sockets ATX 110V / 24V 2P+E as standard					
	2 sockets on each unit side					
Dimensions	504 x 465 x 285 mm (L x W x H)			512 x 562 x 260 mm (L x W x H)		

Ingress Protection	IP66	
Weight	21 Kg	28 Kg

- CEAG, Stahl and Marechal plug options and longer SY input cable available on request.
- Ships braided cable for offshore applications to BS6883 available on request.
- Changes may be made to the above specification without notification, details are available on request.
- All information has been gathered under laboratory conditions, the user must regard the values given as approximate.

Product Dimensions



Version: SL072 DF-443 Issue 04

Wolf[®]

Wolf Safety Lamp Company, Saxon Road Works, Sheffield, S8 0YA, UK

- T: +44 (0) 114 255 1051 • F: +44 (0) 114 255 7988
- E: info@wolfsafety.com • www.wolfsafety.com

