

GB

**Wolf ATEX Torch Range  
Operation and Maintenance  
Instructions Please retain  
- read before use**

**EU Declaration of Conformity**

The Wolf ATEX Torch Range (TR-24B, TS-24B, TR-26B and TS-26B) meets all relevant provisions of the 2014/34/EU Explosive Atmospheres (ATEX Equipment) directive by virtue of the issued EU type examination certificate, demonstrating compliance with all relevant harmonised standards and essential health and safety requirements.

Wolf ATEX torches are self contained primary cell powered flashlights/torches, moulded in high impact plastic, approved as Group II Category 2 equipment for use in zone 1 & 2 potentially explosive gases, vapours, mists where the IIB gas group permits, and zone 21 & 22 potentially explosive dusts where approval code temperature class/surface temperature of specific models apply. For detailed information on applicable codes with battery and bulb details, see attached table.

**Do not open torch in Ex Areas**

**Do not mix cells**

**Do not use rechargeable cells**

**Damaged equipment should be repaired before further use**

**Caution - Polycarbonate lens, check Ex atmospheres for compatibility**

Notified Body: SGS FIMKO OY., P.O. Box 30 (Särkinientie 3) 00211 HELSINKI, Finland.

Notified body number: **0598**

**EU Type Examination Certificate:  
BAS02ATEX2220X**

EN IEC 60079-0:2018\*, (+EN 60079-0:2012 +A11:2013), EN IEC 60079-7:2015+A1:2018\*, (+EN60079-7:2015), EN60079-11:2012, EN60079-31:2014

\*A subsequent review of the harmonised standards demonstrated the Wolf ATEX Torches are not affected by the formal changes to maintain compliance.

Ingress protection level: **IP67** to EN60529:1992

The TS/TR-24B/26B is compliant with the 2011/65/EU RoHS Directive to the harmonised standard EN IEC 63000:2018

This declaration is issued under the sole responsibility of Wolf Safety Lamp Company.

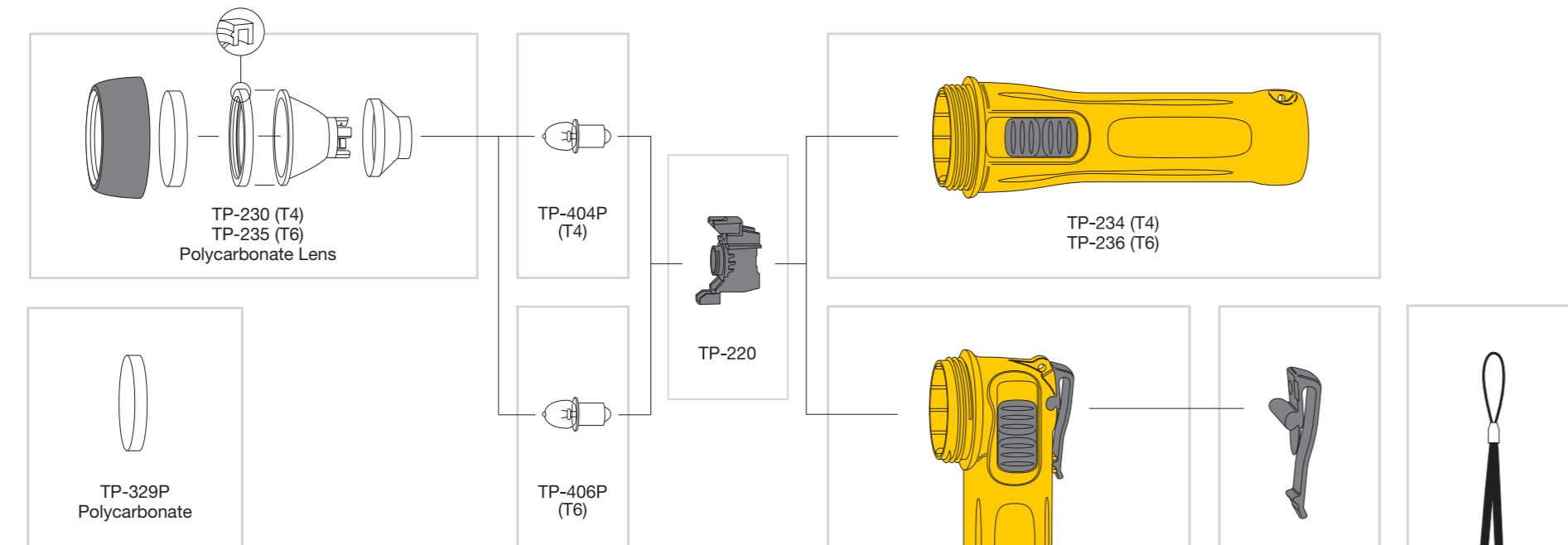
Alex Jackson - Managing Director  
Wolf Safety Lamp Company Ltd.  
Sheffield, S8 0YA, UK  
Dated: 01 September 2023

**(X) Specific Conditions of Use**

**Only use cell/battery types specified.**

Use only genuine Wolf replacements parts.

The Wolf Safety Lamp Co. Ltd has a policy of continuous product improvement. Changes in design details may be made without prior notice.



**UK Declaration of Conformity CA 1180**  
EU Type Examination Certificate:  
**BAS21UKEX0431X**  
EN IEC 60079-0:2018\*, (+EN 60079-0:2012 +A11:2013), EN IEC 60079-7:2015+A1:2018\*, (+EN60079-7:2015), EN60079-11:2012, EN60079-31:2014  
\*A subsequent review of the harmonised standards demonstrated the Wolf ATEX Torches are not affected by the formal changes to maintain compliance.  
Ingress protection level: **IP67** to EN60529:1992  
The TS/TR-24B/26B is compliant with the 2011/65/EU RoHS Directive to the harmonised standard EN IEC 63000:2018  
This declaration is issued under the sole responsibility of Wolf Safety Lamp Company.  
Alex Jackson - Managing Director  
Wolf Safety Lamp Company Ltd.  
Sheffield, S8 0YA, UK  
Dated: 01 September 2023  
**(X) Specific Conditions of Use**  
**Only use cell/battery types specified.**

**IECEx Approval**  
IECEx Scheme Certificate Number:  
**IECEx BAS 15.0033X**  
**Models TS-24B, TR-24B, TS-26B & TR-26B**  
For detailed information on applicable codes with battery options, see table.  
IEC Standards Applied: IEC 60079-0:2011, IEC 60079-11:2017, IEC 60079-7:2015, IEC 60079-31:2013  
Ingress Protection Level: IP67 to IEC 60529:2001  
**(X) Specific Conditions of Use**  
**Only use cell/battery types specified.**

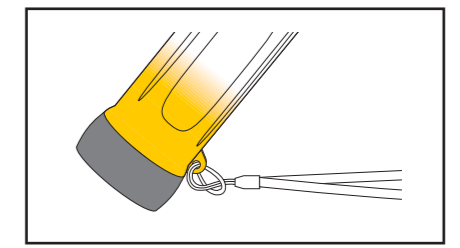
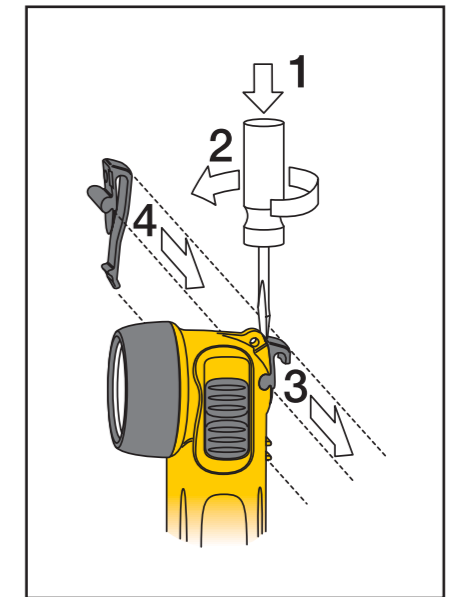
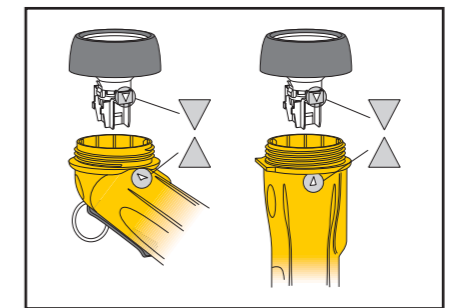
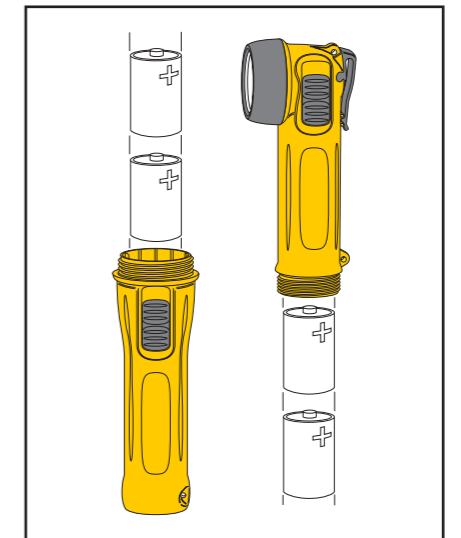
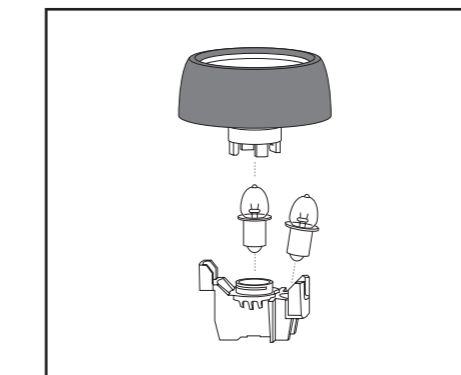
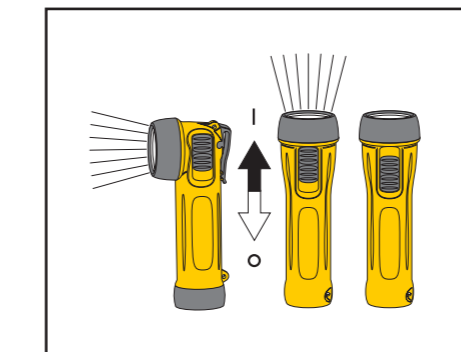
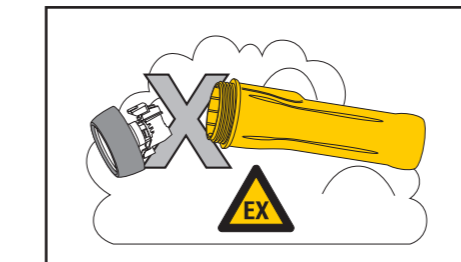
**'X' Condition: Only the Cells/Batteries listed below may be used**

<b>G (Gas): T4</b> <b>D (Dust): T95°C</b> TR-24B -20°C ≤ Ta ≤ +40°C TS-24B -10°C ≤ Ta ≤ +40°C	<b>R20</b> ✓	<b>LR20</b> ✓	<b>Wolf TP-404P</b> HPX, KPR, PR: ≥2.4V, ≤0.93A ≥2.2V, ≤0.85A e.g. HPX23, 2.4V, 0.7A
<b>G (Gas): T4 (Ta=55°C)</b> <b>D (Dust): T95°C</b> TR-24B -20°C ≤ Ta ≤ +55°C TS-24B -10°C ≤ Ta ≤ +55°C	<b>R20</b> ✓	<b>LR20</b> ✓	<b>Wolf H-20</b> Duracell Ultra Energizer Alkaline Energizer Industrial Eveready Gold

<b>TR-26B</b> II 2GD Ex eb ib IIB T6 Gb Ex tb IIIC T65°C Db [-20°C ≤ Ta ≤ +40°C] <b>TS-26B</b> II 2GD Ex eb ib IIB T6 Gb Ex tb IIIC T65°C Db [-10°C ≤ Ta ≤ +40°C]	<b>R20</b> ✓	<b>LR20</b> ✗	<b>Wolf TP-406P</b> PR: ≥2.4V, ≤0.5A e.g. PR2, 2.4V, 0.5A
<b>G (Gas): T6</b> <b>D (Dust): T65°C</b> TR-26B -20°C ≤ Ta ≤ +40°C TS-26B -10°C ≤ Ta ≤ +40°C	<b>Wolf T-20</b> Philips Longlife GP Greencell		

EN IEC 60079-17

BAS02ATEX2220X  
BAS21UKEX0431X  
IECEx BAS 15.0033X  
"X" =



Spare Parts	Model				
	T4		T6		
	TR-24B	TS-24B	TR-26B	TS-26B	
TP-230	T4 Lens Ring Assembly (Polycarbonate Lens)	✓*	✓	-	-
TP-235	T6 Lens Ring Assembly (Polycarbonate Lens)	-	-	✓*	✓
TP-404P	T4 Bulb (Pack of 2) Xenon	✓	✓	-	-
TP-406P	T6 Bulb (Pack of 2) Vacuum	✓	✓	✓	✓
TP-220	Bulbholder Assembly	✓	✓	✓	✓
TP-234	T4 Straight Torch Body Assembly	-	✓	-	-
TP-236	T6 Straight Torch Body Assembly	-	-	-	✓
TP-244	T4 Right Angle Torch Body Assembly	✓	-	-	-
TP-246	T6 Right Angle Torch Body Assembly	-	-	✓	-
TP-343	Clip Moulding	✓	-	✓	-
TP-448	Base 'O' Seal	✓	-	✓	-
TP-250	End Cap Assembly	✓	-	✓	-
TP-260	Wrist Strap	✓	✓	✓	✓
T-20	R20 Cell	✓	✓	✓	✓
H-20	LR20 Cell	✓	✓	-	-
TP-329P	Polycarbonate Lens	✓	✓	✓	✓

\*Glass Lens options available on request.

**Wolf**  
**WOLF ATEX  
SAFETY TORCH**  
ATEX approved for  
explosive gas and  
dust atmospheres  
TS-24B & TR-24B  
TS-26B & TR-26B  
Operation and  
Maintenance  
Instructions  
UK  
CA  
1180  
CE  
0598  
EX  
IECEx

