

ATEX/IECEX LED WORKLITE™

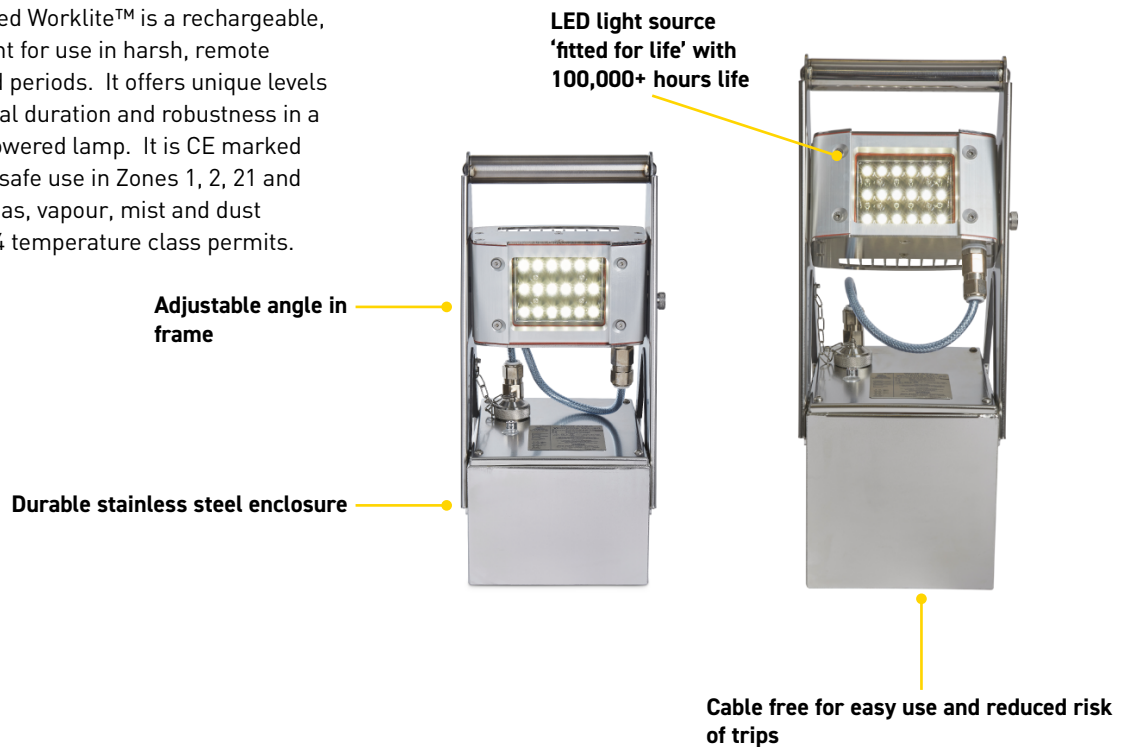


WITHOUT COMPROMISE

WL-80 & WL-85 ZONES **1** **2** **21** **22**

PRODUCT INFORMATION

The ATEX & IECEx certified Worklite™ is a rechargeable, high output LED floodlight for use in harsh, remote applications for extended periods. It offers unique levels of light output, operational duration and robustness in a self-contained battery powered lamp. It is CE marked to the ATEX Directive for safe use in Zones 1, 2, 21 and 22 potentially explosive gas, vapour, mist and dust atmospheres, where a T4 temperature class permits.



KEY INFORMATION

CERTIFICATION

- ATEX and IECEx Approved for Zone 1/21 explosive gas and dust atmospheres.
- IP Rating: certified to both IP66 and 67, the Worklite™ is dust tight and protected against powerful water jets and immersion up to 1 metre

AMBIENT APPROVED

- -20°C to +40°C

LIGHT OUTPUT

- 3,100 lumens at source
- High power white LED piercing spot beam with flood of lower level fringe light
- LED light source 'fitted for life' with 100,000+ hours life

LIGHT DURATION

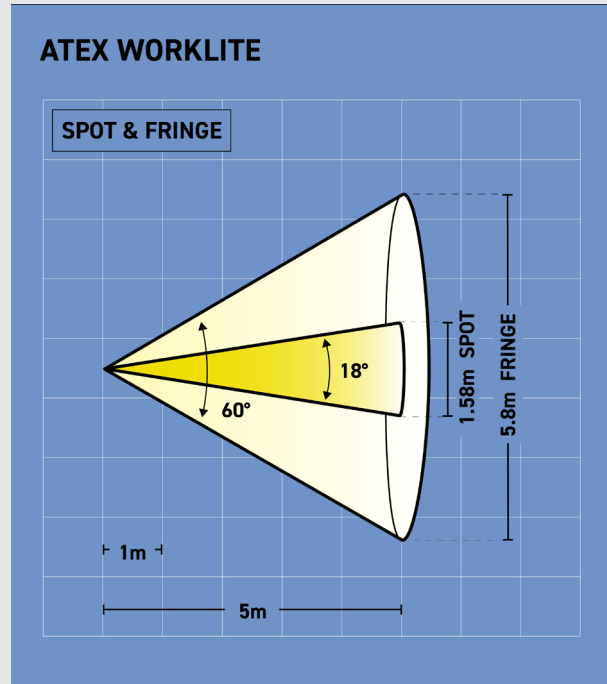
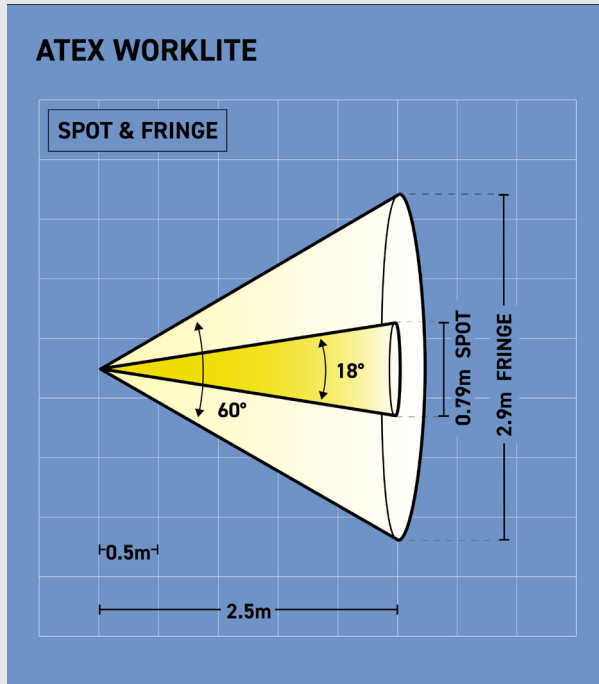
- WL-80 15 hours (full power) / 22 hours (half power)
- WL-85 21 hours (full power) / 40 hours (half power)

FEATURES

- Toughened glass lens, supplied with easily replaceable lens guards
- Robust and durable construction
- Rechargeable high capacity battery, fully managed & supplied with a mains charger with state of charge indication, powered from 100 to 254Vac
- 2 power levels (high/low) allowing user to accommodate appropriate light based on the work task at hand
- Tilt adjustment within frame to direct light accordingly

TECHNICAL INFORMATION

LIGHT OUTPUT DIAGRAM



Spot Beam, approximately 18°, with a flood, approximately 60°, of lower level fringe light.

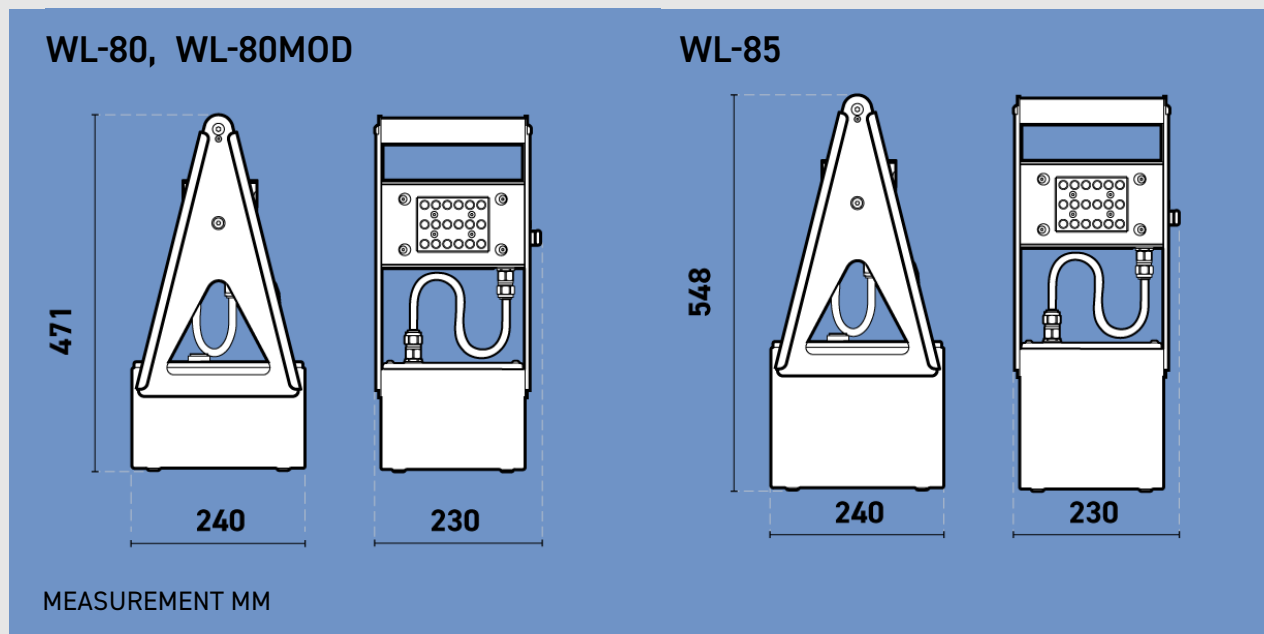
Full Power:

14,146 Lux at 1m
566 Lux at 5m

Half Power:

7,455 Lux at 1m
298 Lux at 5m

PRODUCT DIMENSIONS



ATEX/IECEX LED WORKLITE™

PRODUCT REFERENCE	WL-80	WL-85	
PRODUCT DESCRIPTION	High Power Rechargeable Battery Worklite™ 18 LED		
CODE	II 2 GD Ex eb ib mb op is IIC T4 Gb Ex tb op is IIIC T135°C Db		
TYPE OF PROTECTION	'eb' Increased Safety, 'ib' Intrinsic Safety, 'op is' optical intrinsic safety, 'mb' Encapsulation, 'tb' Enclosure Protection		
AREA OF CLASSIFICATION (GAS)	Zones 1 and 2, Gas Groups IIA, IIB, IIC		
TEMPERATURE CLASSIFICATION	T4		
AREA OF CLASSIFICATION (DUST)	Zones 21 and 22, Dust Groups IIIA, IIIB, IIIC		
MAX. SURFACE TEMPERATURE (DUST)	T135°C		
AMBIENT TEMPERATURE	-20°C to +40°C		
CERTIFICATE	CML 18ATEX3373X, IECEx CML 18.0199X		
ENCLOSURE	Stainless Steel with Aluminium LED Lamp Head		
LENS	Toughened Glass Lens Supplied with 3 Anti-static Lens Guards		
BEAM TYPE	Spot Beam with a Flood of Low Level Fringe Light		
LIGHT SOURCE:	TYPE	High Power LED	
	POWER/OUTPUT	18 x High Power LEDs / Up to 3100 lm at source	
	LIFE	100,000hrs+ (Fitted for Life)	
POWER SOURCE:	PART NO.	W-218	W-235
	BATTERY TYPE	Rechargeable Battery, Sealed Gel Lead Acid	
	VOLTS	12V	
	CAPACITY	18Ah	35Ah
	LIFE	Up to 500 recharge cycles	
LOW BATTERY INDICATOR	Yes		
LIGHT DURATION - HIGH / LOW	Up to 15hrs / 22hrs	Up to 21 hrs / 40hrs	
INGRESS PROTECTION	IP66 and IP67* to IEC60529		
WEIGHT (INC. BATTERY)	16.5kg	23kg	
CHARGER INPUT	100 - 254 Vac		
RECHARGE TIME	8 hrs	12 hrs	

All information has been gathered under laboratory conditions, the user must regard the values given as approximate. Changes may be made to the above specification without notification, details are available on request.



Wolf Safety Lamp Company
Saxon Road Works, Sheffield S8 0YA, UK

T: +44 (0) 114 255 1051
E: info@wolfsafety.com

