

WTL ATEX TOWERLITE™



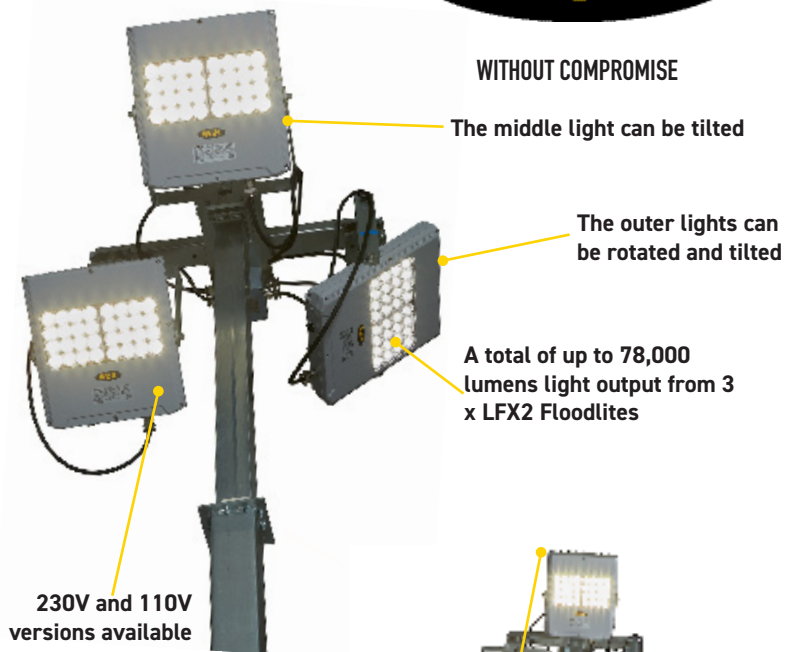
ATEX TOWERLITE ZONES **1** **2** **21** **22**

PRODUCT INFORMATION

The WTL ATEX Towerlite™ is a strong, sturdy, and robust fully ATEX, IECEx and UKEX Zone 1,2/21,22 certified transportable tower light solution. Extendable to a height of up to 5.5 metres, it's fitted with three powerful and adjustable LED LFX2 Floodlites and delivers up to 78,000 lumens of intense bright light for overhead indoor or outdoor illumination of medium to large sized areas.

FEATURES AND BENEFITS

- A fully certified Gas Zone 1 and 2 and Dust Zone 21 and 22 ATEX, IECEx and UKEX Hazardous Area lighting solution
- The powerful overhead area illumination, provides:
 - A large, wide spread of bright, uniform lighting, giving a consistent and even distribution of light, reducing shadows and glare
 - Improved safety: helping to reduce accidents by ensuring better visibility and minimising dark areas
 - Enhanced productivity: clear vision enables work tasks to be carried out efficiently and effectively
- Extendable to a height of 5.5m for excellent high level illumination
- Up to 78,000 lumens of high quality, ultra bright light from 3 x LFX2 Floodlites
- IP66 - ideal for both indoor or outdoor use
- Fully adjustable with individual Floodlite™ rotation and tilt
- Supplied with HO7RN-F cable for the input to and outputs from the Towerlite™
- Supplied with a fitted ATX, CEAG, Marechal or Stahl Ex plug
- Available in 110V or 230V versions
- Easy to manoeuvre and set up in minutes by a single operator
- Approximate weight 300kgs
- Integral fork truck pockets for easy on-site transportation
- Suitable for use in winds of up to 40mph/64kph
- Options available with a socket for inter-connecting towers



Integral fork truck pockets for easy on-site transportation

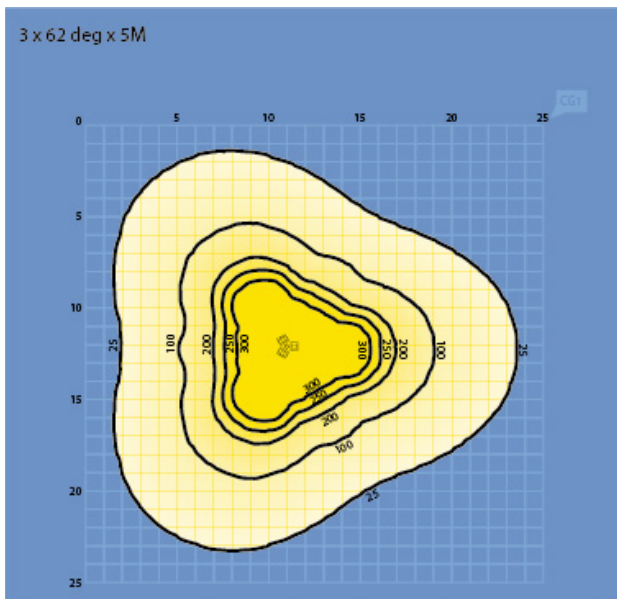


4 X outriggers for high stability in winds of up to 40mph/65kmpH

Removeable wheels and pull handle for easy single-person manoeuvring

WTL ATEX Towerlite™ not extended

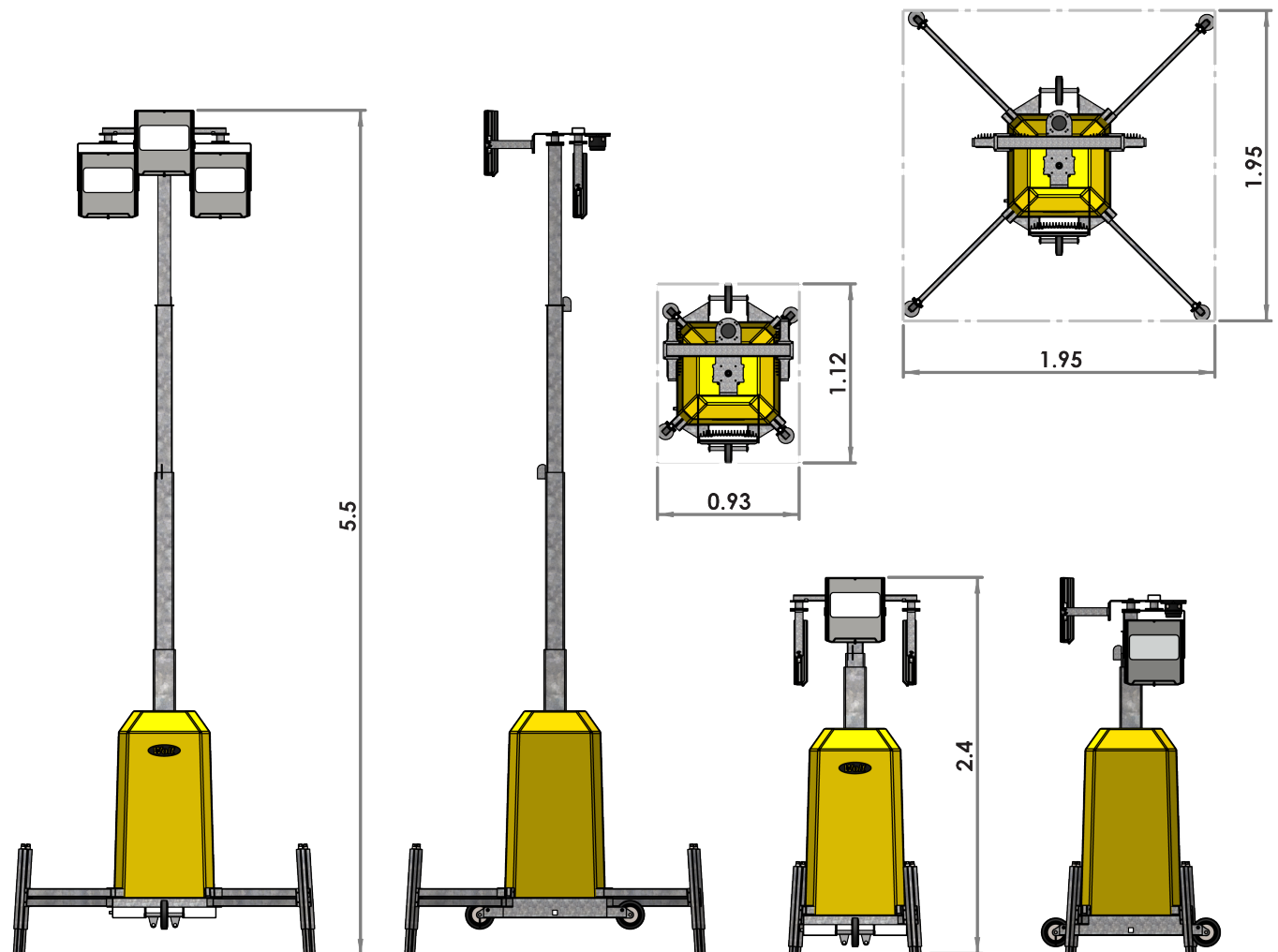
LIGHT OUTPUT DIAGRAM



The WTL ATEX Towerlite™ features 3 X Wolf LFX2 Floodlights giving a light output of up to 78,000 lumens. The tower can be orientated, the middle light tilted, and the outer lights individually tilted and rotated to direct the light to where it's needed. As such, large Hazardous Areas can be illuminated effectively from overhead in an almost infinite number of ways.

The diagram represents the output from the WTL ATEX Towerlite™ with 3 x 62° beam angle LFX2 Floodlights, with the tower extended to a height of 5 metres.

TECHNICAL INFORMATION



WTL ATEX TOWERLITE™ TECHNICAL TABLE

WTL ATEX TOWERLITE™		
PRODUCT REFERENCE	WTL-575/110	WTL-575/230
PRODUCT DESCRIPTION	Fully certified ATEX, IECEx and UKEX Zone 1,2/21,22 tower lighting solution	
CODE	II 2 G Ex eb mb IIC T4 Gb II 2 D Ex tb IIIC T110°C Db	
CERTIFICATION	ExVeritas 19 ATEX 0586X / IECEx EXV 19.0079X / ExVeritas 21 UKEX 0939X	
INPUT POWER	3 x 180W	
VOLTAGE OPTIONS	88 - 140V AC 50 - 60 Hz	180 - 277V AC 50 - 60 Hz
POWER FACTOR	>0.95	
LIGHT OUTPUT	78,000 lumens	
LIGHT SOURCE	3 X Wolf LFX2 Floodlites (32 LEDs per light); beam angle 62°	
PLUG OPTIONS	ATX, CEAG, Marechal, Stahl	
DIMENSIONS	Mast height - 5.5m when fully extended	
WEIGHT	Approximately 300kg (including lights)	
AMBIENT	-20°C to +50°C	
COLOUR TEMPERATURE	5000K	

For full technical information on the LFX Floodlites used on the WTL Towerlite™, see www.wolfsafety.com/installed-lighting/floodlights/lfx-floodlite

All information has been gathered under laboratory conditions and the user must regard the values given as approximate. Changes may be made to the above specification without notification; details are available on request.



Wolf Safety Lamp Company
Saxon Road Works, Sheffield S8 0YA, UK

T: +44 (0) 114 255 1051
E: info@wolfsafety.com

