

# ATEX

# COMPACT SAFETY LED TORCH



WITHOUT COMPROMISE

TR/TS-65 ZONES **0 1 2 21 22** TR/TS-60 ZONES **1 2 21 22**

## PRODUCT INFORMATION

The TR/TS-6X is a compact, lightweight, ATEX LED torch for use in the most demanding hazardous area workspaces; available as either a right angle or straight model based on application at hand.



### LIGHT OUTPUT/DURATION/POWER

- Long life LED light source with up to 330 lm output at source
- Duration at different power levels: up to 7/14/159 hours (TR-65 & TS-65) / up to 12 hours (TR-60 & TS-60)
- 4 x AA alkaline primary cells
- 3 power modes for different light output (TR-65 & TS-65)
- Single power mode (TR-60 & TS-60)
- Balanced spot and fringe optics. Ideal for long range inspection with the powerful spot beam whilst providing sufficient illumination nearby with wide fringe

### CERTIFICATION

- ATEX/IECEX Zone 0/21 (TR-65 & TS-65) / Zone 1/21 (TR-60 & TS-60)
- T4 temperature class
- IP66 and IP67 water and dust tight

### FEATURES

- Battery level indicator (TR-65 & TS-65)
- Beam dip for last 15% of battery life for increased safety
- Right angled and straight models available
- Robust, reliable and proven materials
- Ergonomic design
- Compact and lightweight
- Large switch (easy to use even when wearing gloves)
- Deep discharge protection
- Highly robust, replaceable polymer clip and flat torch back increases stability when fixed to tunic (right angled models)
- Anti-roll foot (straight models) & flat base (right-angled models) enable easy hands free illumination
- Two lanyard fixings - one at each end of the torch (right angle models, straight models have single lanyard fixing)
- Easy maintenance, spare parts available



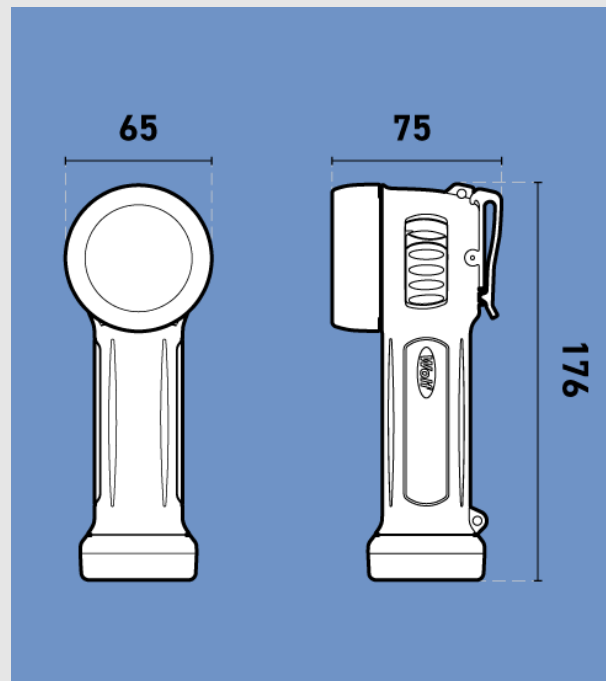
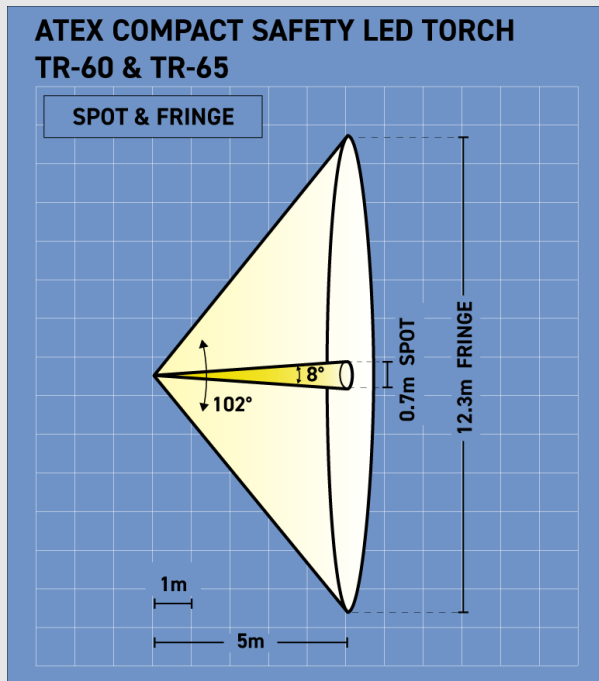
• Both the TR and TS are easy to operate with gloved hands

• The TR-65 has an intense spot beam, with a wide angle fringe light



• The flat back on the torch head and robust spring clip keep the torch firmly in place

## LIGHT OUTPUT DIAGRAM



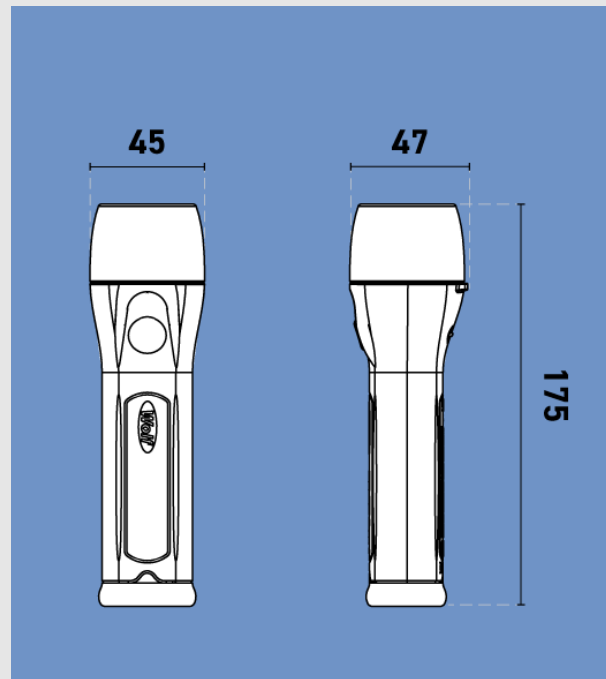
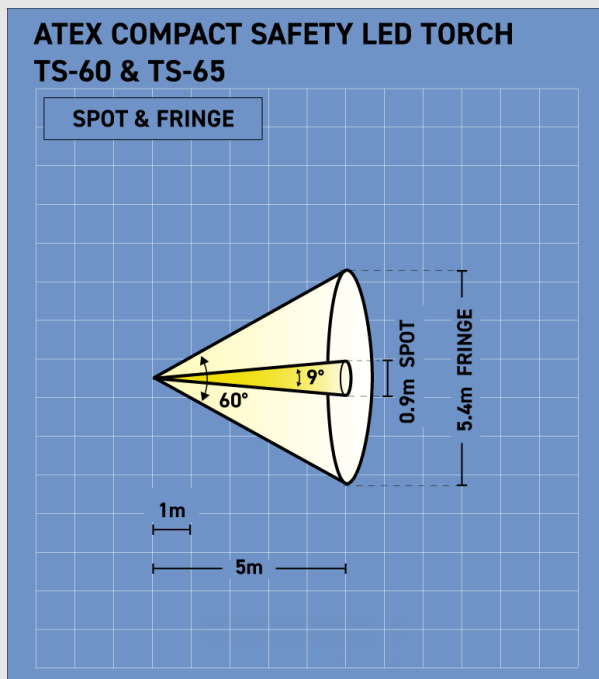
**TR-65:** 300 lumens Spot Beam (approx 8°) with extra wide angle fringe light (approx 102°).

Peak luminous intensity, high power at 1m **17,303 lux**, at 5m **692 lux**

Peak luminous intensity, low power at 1m **1,148 lux**, at 5m **46 lux**

**TR-60:** 200 lumens spot beam (approx 8°) with extra wide angle fringe light (approx 102°).

Peak luminous intensity at 1m **11,525 lux**, at 5m **461 lux**



**TS-65:** 330 lumens Spot Beam (approx 9°) with wide angle fringe light (approx 60°).

Peak luminous intensity, high power at 1m **8,460 lux**, at 5m **338 lux**

Peak luminous intensity, low power at 1m **338 lux**, at 5m **32 lux**

**TS-60:** 220 lumens spot beam (approx 9°) with extra wide angle fringe light (approx 60°).

Peak luminous intensity at 1m **6,503 lux**, at 5m **261 lux**

## ATEX COMPACT SAFETY LED TORCH

PRODUCT REFERENCE		TR-60	TS-60	TR-65	TS-65
<b>PRODUCT DESCRIPTION</b>		ATEX Right Angle Zone 1 Compact Safety LED Torch	ATEX Straight Zone 1 Compact Safety LED Torch	ATEX Right Angle Zone 0 Compact Safety LED Torch	ATEX Straight Zone 0 Compact Safety LED Torch
<b>CODE</b>		I M2/II 2G Ex ib I Mb/IIC T3/T4 Gb II 2 D Ex ib IIIB T200°C Db		I M1/II 1G Ex ia I Ma/IIC T3/T4 Ga II 2D Ex ib IIIB T200°C Db	
<b>TYPE OF PROTECTION</b>		'ib' intrinsic safety		'ia' intrinsic safety	
<b>AREA OF CLASSIFICATION (GAS)</b>		Zones 1 & 2 Gas Groups IIA, IIB IIC		Zones 0, 1 & 2 Gas Groups IIA, IIB IIC	
<b>TEMPERATURE CLASS (GAS)</b>		T4 + T3 (depending on cells)			
<b>AREA OF CLASSIFICATION (DUST)</b>		Zones 21 & 22 Dust Groups IIIA and IIIB			
<b>MAX. SURFACE TEMP. (DUST)</b>		T200°C			
<b>AMBIENT TEMPERATURE</b>		-30°C to +40°C			
<b>CERTIFICATE</b>		ATEX Baseefa11ATEX0236 IECEX BAS 11.0116			
<b>ENCLOSURE</b>		Impact Resistant Thermoplastic, Chemical Resistant			
<b>BASE + LENS RING</b>		Shock Absorbing Elastomer			
<b>LENS</b>		Polycarbonate		Toughened Glass	Polycarbonate
<b>BEAM TYPE</b>		Spot with Fringe			
<b>LIGHT SOURCE</b>	<b>TYPE</b>	High Power LED			
	<b>OUTPUT</b>	200lm	220lm	High Power 300lm / Medium Power 150lm / Low Power 30lm	High Power 330lm / Medium Power 165lm / Low Power 33lm
	<b>LIFE</b>	10,000+ hrs			
<b>POWER SOURCE</b>	<b>PART NO.</b>	4 x AA cells (LR6)			
	<b>TYPE</b>	4 x LR6 Primary Cells to IEC 60086			
	<b>VOLTS</b>	4 x 1.5v			
<b>LOW BATTERY INDICATOR</b>	<b>RED LED</b>	No		Yes	
	<b>LOW BATTERY BEAM DIP</b>	Yes			
<b>LOW VOLTAGE CUT OFF</b>		Yes			
<b>LIGHT DURATION</b>		Up to 12 hours		Up to 7.0 hrs / 14 hrs / 159 hours	
<b>INGRESS PROTECTION</b>		IP66 + IP67			
<b>WEIGHT (INC. CELLS)</b>		330g	250g	330g	250g

All information has been gathered under laboratory conditions, the user must regard the values given as approximate. Changes may be made to the above specification without notification, details are available on request.



Wolf Safety Lamp Company  
Saxon Road Works, Sheffield S8 0YA, UK

T: +44 (0) 114 255 1051  
E: [info@wolfsafety.com](mailto:info@wolfsafety.com)

