

Wolf

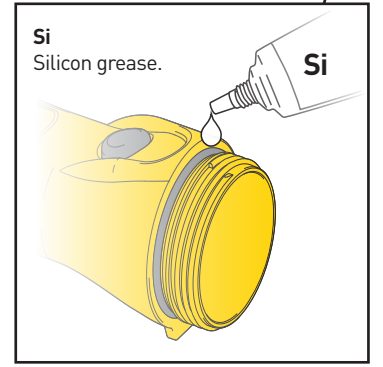
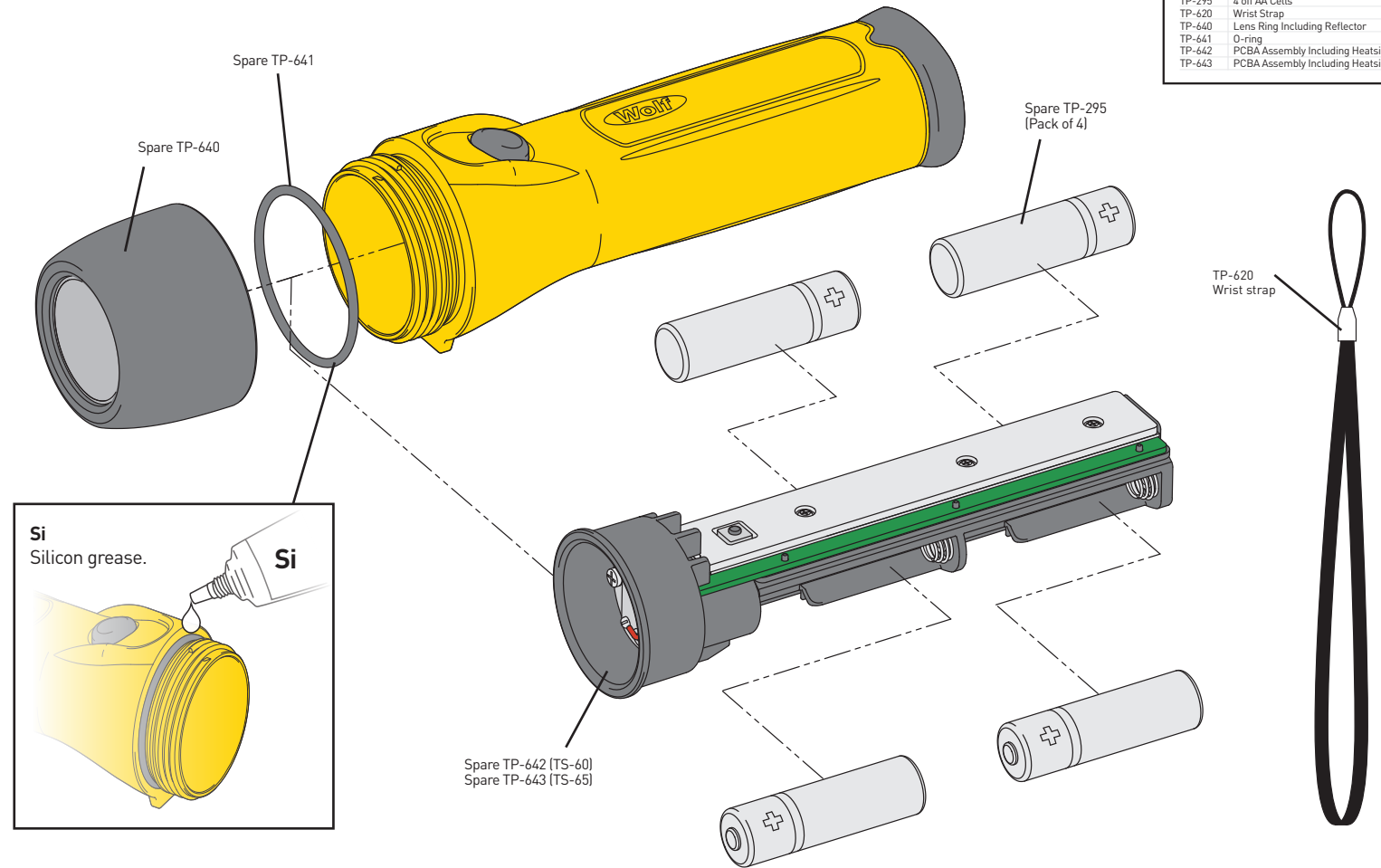
WOLF ATEX COMPACT STRAIGHT SAFETY LED TORCH

TS-60, Zone 1, 21
TS-65, Zone 0, 21

- ATEX, UKEX and IECEx Certified for explosive gas and dust atmospheres
- Choice of 3 power modes (TS-65)
- Peak 330 lumens light output
- Up to 160 hours duration
- Low battery warning – LED Indicator and beam interrupt (TS-60 beam interrupt only)
- IP67 Ingress Protection
- Compact, lightweight and ergonomic design.



Authorised Representative [EU]2019R1020:
Authorised Representative Service,
77 Camden Street Lower, Dublin, D02 XE80, Ireland
Wolf Safety Lamp Company
Saxon Road Works,
Sheffield S8 0YA, England
Tel: +44 114 255 1051
E-mail: info@wolfsafety.com
Website: www.wolfsafety.com



Spares list

Part No	Description	Used On
TP-295	4 off AA Cells	TS-60, TS-65
TP-620	Wrist Strap	TS-60, TS-65
TP-640	Lens Ring Including Reflector	TS-60, TS-65
TP-641	O-ring	TS-60, TS-65
TP-642	PCBA Assembly Including Heatsink	TS-60
TP-643	PCBA Assembly Including Heatsink	TS-65

UK Declaration of Conformity UK CA 1180

The Wolf ATEX Compact Straight Safety LED Torch meets all the statutory requirements of the Equipment and Protective Systems Intended for Use in Potentially Explosive Atmospheres Regulations 2016, UKSI 2016/1107 as amended by UKSI 2019/696 by virtue of the issued UKEX type examination certificate, demonstrating compliance with all relevant designated standards and essential health and safety requirements.

Approval Code:
TS-60 Ex ib I Mb/II C T3/T4 Gb [-30°C ≤ Ta ≤ +40°C]
II 2D Ex ib IIIB T200°C Db IP67
TS-65 Ex ia I Ma/II C T3/T4 Ga [-30°C ≤ Ta ≤ +40°C]
II 2D Ex ib IIIB T200°C Db IP67

Approval Body: SGS Baseefa Ltd, Rockhead Business Park, Staden Lane, Buxton, SK17 9RZ, UK.
Approval body number: **1180**.

UK Type examination certificate: **BAS21UKEX0437**
For T3/T4 battery options, see table.
Designated Standards Applied: EN IEC 60079-0:2018, EN 60079-11:2012

The Wolf ATEX Compact Straight Safety LED Torch is also compliant with the UK EMC Regulations 2016, UKSI 2016/1091 as amended by UK SI 2019/696 to the following designated standards EN 55015:2013 +A1:2015 and EN 61547:2009

This declaration is issued under the sole responsibility of Wolf Safety Lamp Company.
Alex Jackson – Managing Director
Wolf Safety Lamp Company
Sheffield, S8 0YA, UK
Dated 01 November 2021

IECEx Scheme Certification

IECEx Scheme Certificate Number:
IECEx BAS 11.0116

TS-60 Ex ib I Mb/II C T3/T4 Gb
Ex ib IIIB T200°C Db
TS-65 Ex ia I Ma/II C T3/T4 Ga
Ex ib IIIB T200°C Db

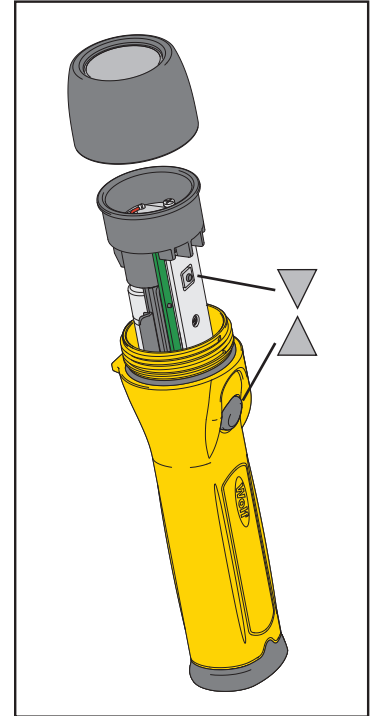
Temperature Ambient: -30°C to +40°C
IEC Standards Applied:
IEC 60079-0:2017, IEC 60079-11:2011,
For T3/T4 battery options, see table.

Battery Options Table

4 x AA Wolf part no. TP-295 (pack of 4)
LR6 to IEC 60086 (AA)

	T4	T3
LR6	Industrial by Duracell, Duracell Procell, Duracell Plus, Procell (Grey), Duracell MN1500, Energizer Industrial, Energizer Ultra +, Energizer EN91, Energizer E91	✓
R6	✓	✓

EN IEC 60079-17



TS-60 power options

100%

Battery level

≤15%

RISK GROUP 2 – CAUTION
Do not stare at operating lamp

EX

TS-65 power options

10%

50%

≤3s

100%

≤3s | ≤3s

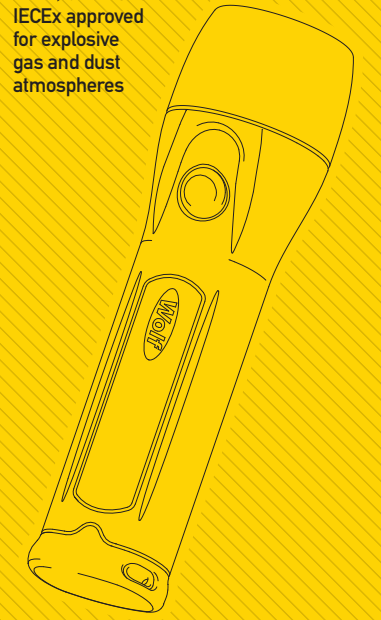
Battery level

≤15%

Wolf

WOLF ATEX COMPACT STRAIGHT SAFETY LED TORCH

ATEX, UKEX and IECEx approved for explosive gas and dust atmospheres



TS-60
TS-65
Operation and Maintenance Instructions



